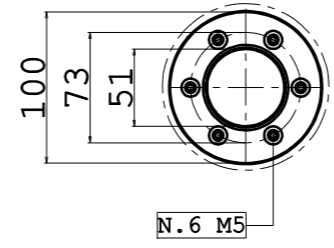
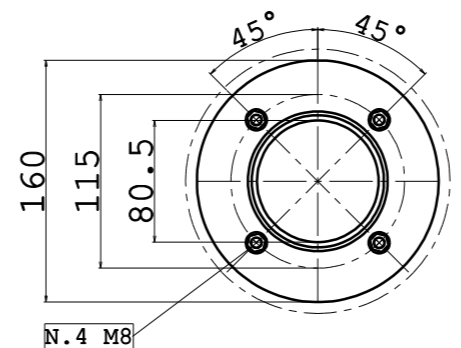


1 OIL CAP FLANGE

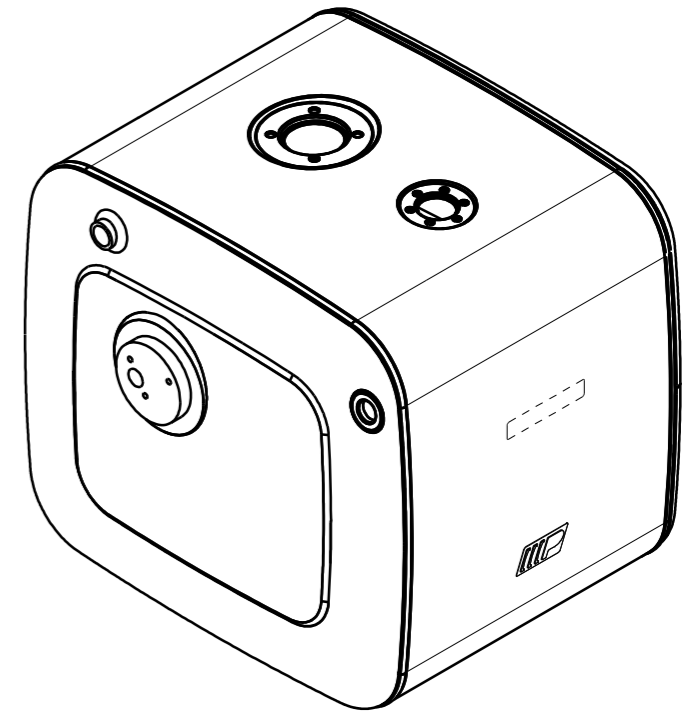


SCALE 1:5

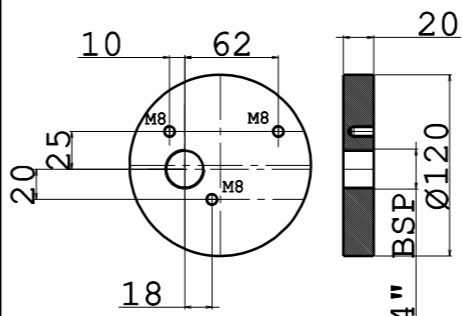
2 RETURN FILTER FLANGE



SCALE 1:5

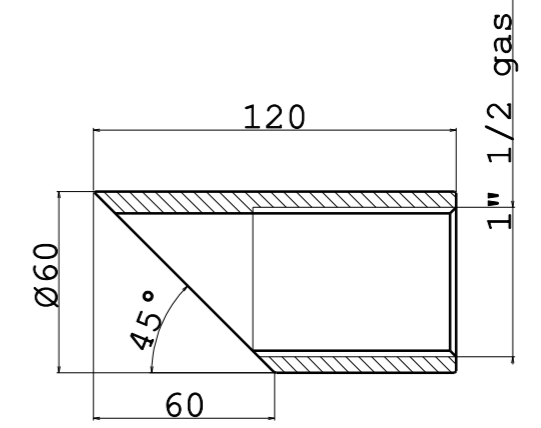


7 RETURN VALVE PLATE



SCALE 1:5

4 1"1/2 SUCTION ADAPTER



SCALE 1:2.5

Tank composition

Pos.	Denomination	Q.ty
1	OIL CAP FLANGE	1
2	RETURN FILTER FLANGE	1
3	1" LEVEL INDICATOR	1
4	1" 1/2 SUCTION CONNECTION	1
5	1" RETURN CONNECTION	1
6	1" RETURN CONNECTION	1
7	RETURN VALVE PLATE	1

Tank dimensions

Level indicator capacity	160 Lt
Full capacity	195 Lt
Support weight	22 Kg
Tank weight (F,I,T)	kg (A) kg
Dimension	500x636x706 mm

0	EMISSION	27/10/2017	MM	MM	EB
Rev.	Description	Date	Dis.	Ver.	App.
	Part name : Oil tank 200 LT Al/Steel/St.Steel fam. 630x706				
	Part code : PRT170870				
	Scale 1:10				
	Replace the				
	Replaced by				
	Material code (X)=F:Steel DC03A EN 10130 (X)=I:Stainless steel AISI 304 UNI EN 10088 (X)=T:Textured stainless steel. AISI 304 UNI EN 10088 (X)=A:Aluminium EN AW 5754 UNI EN 573-3				
					General tolerances: ISO 2768 V
					Drawing format A3
	OWNERSHIP OF THIS DRAWING IS RESERVED BY LAW AND MAY NOT BE REPRODUCED IN WHOLE OR IN PART WITHOUT PERMISSION OF PADOAN S.R.L.				DO NOT MAKE MEASUREMENTS ON DRAWING DO NOT CHANGE WITHOUT TECHNICAL OFFICE AUTHORIZATION

