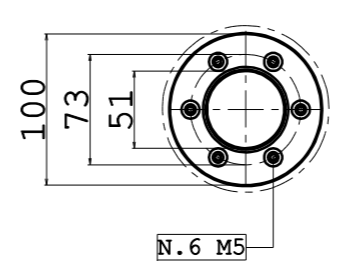
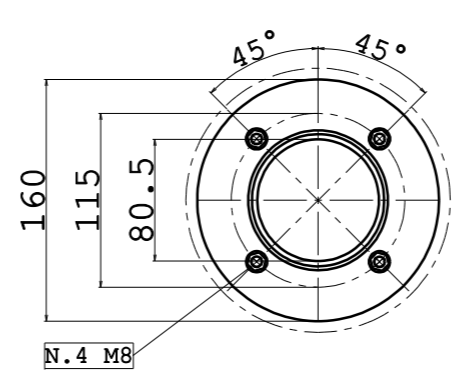


1 OIL CAP FLANGE

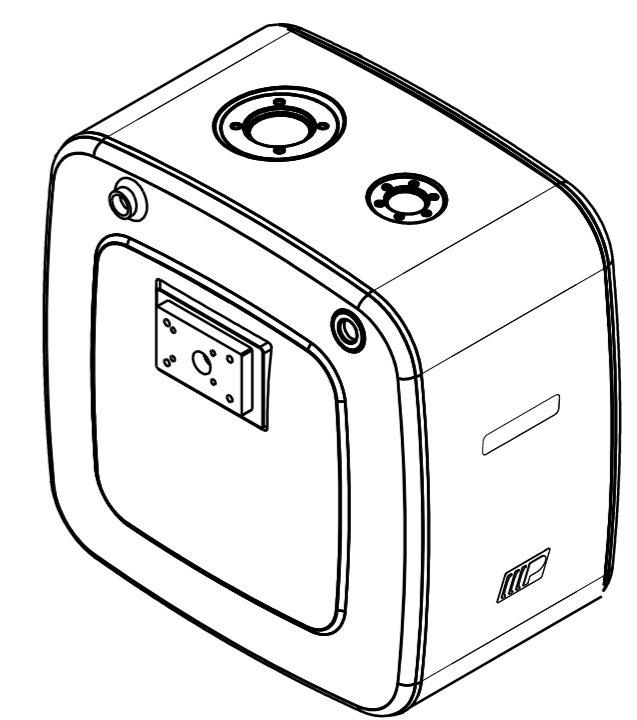


SCALE 1:5

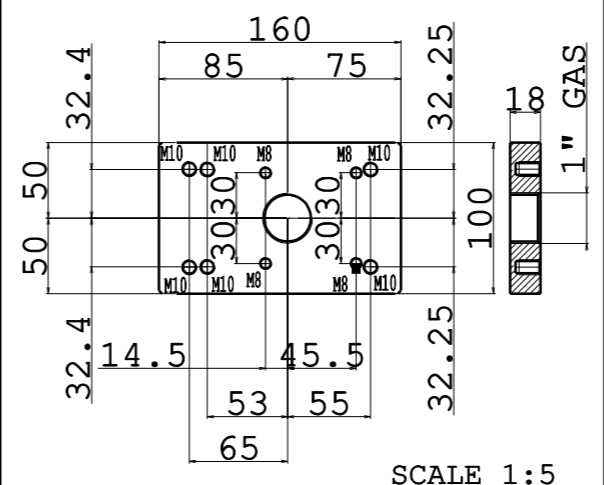
2 RETURN FILTER FLANGE



SCALE 1:5

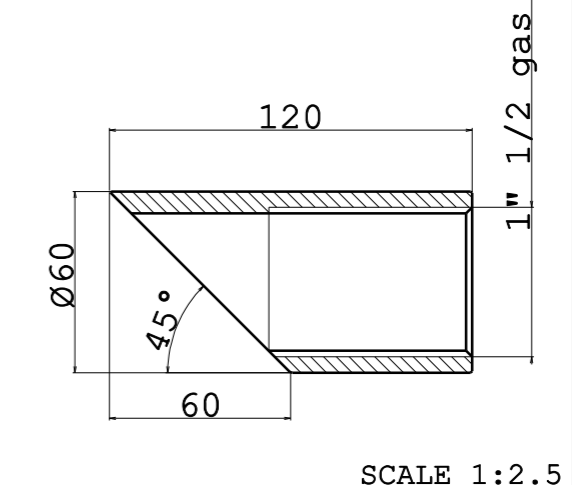


7 RETURN VALVE PLATE



SCALE 1:5

4 1"1/2 SUCTION ADAPTER



SCALE 1:2.5

Tank composition		
Pos.	Denomination	Q.ty
1	OIL CAP FLANGE	1
2	RETURN FILTER FLANGE	1
3	1" LEVEL INDICATOR	1
4	1" 1/2 SUCTION ADAPTER	1
5	1" RETURN ADAPTER	1
6	RETURN VALVE PLATE	1

Tank dimension	
Level indicator capacity	152 Lt
Full capacity	194 Lt
Support weight	27 Kg
Tank weight (F,I,T)	kg (A) kg
Dimension	450x700x700 mm

Rev.	Description	Date	Dis.	Ver.	App.
3	FLANGE MF 45° NEW PADOAN LOGO	15/12/2015	MM	AF	EB
2	RETURN TO PLATE REV 0	10/07/2015	MM	AF	EB
1	NEW VALVE PLATE	22/06/2015	MM	AF	EB
0	EMISSIONE	11/02/2013	MM	MM	BM

Part name :	Oil tank 200 L Al/Steel/St.Steel fam. 700x700		
Part code :	XSO (X) 0200045MFGJ	Replace the	Material code
Scale	1:10	Replaced by	(X)=F:Steel DC03A EN 10130
			(X)=I:Stainless steel AISI 304 UNI EN 10088
			(X)=T:Textured stainless steel. AISI 304 UNI EN 10088
			(X)=A:Aluminium EN AW 5754 UNI EN 573-3
OWNERSHIP OF THIS DRAWING IS RESERVED BY LAW AND MAY NOT BE REPRODUCED IN WHOLE OR IN PART WITHOUT PERMISSION OF PADOAN S.R.L.			General tolerances: ISO 2768 V
			Drawing format A3
			DO NOT MAKE MEASUREMENTS ON DRAWING DO NOT CHANGE WITHOUT TECHNICAL OFFICE AUTHORIZATION