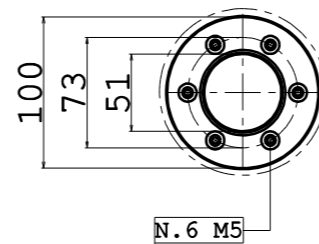
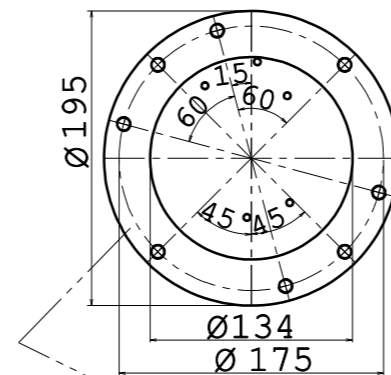


1 OIL CAP FLANGE

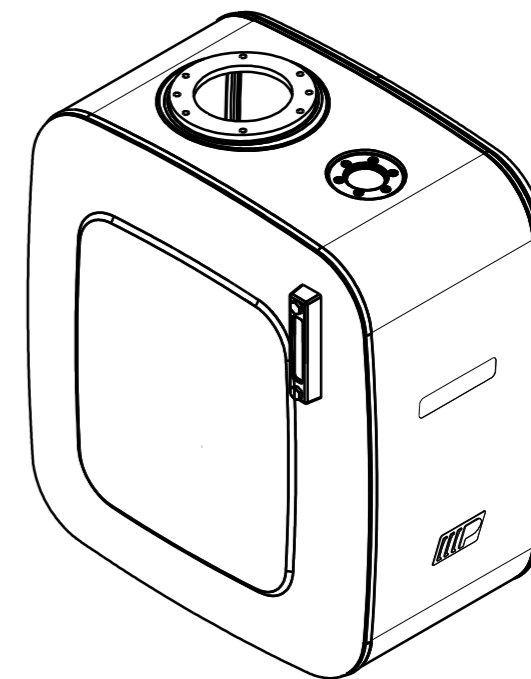


SCALE 1:5

2 RETURN FILTER FLANGE



SCALE 1:5



Tank composition

Pos.	Denomination	Q.ty
1	OIL CAP FLANGE	1
2	FILTER FLANGE 195mm	1
3	OIL SUCTION CONNECTION 2"	1
4	OIL RETURN CONNECTION 1/2"	1
5	LEVEL INDICATOR 127mm	1
6	3/4" DRAINAGE	1

Tank dimension

0	EMISSION	17/10/2016	MM	MM	EB
Rev.	Description	Date	Dis.	Ver.	App.
Level indicator capacity 130 Lt - 113 Lt	Part name : Oil tank 150 L reverse Al/Steel/St.Steel fam. 706x636				
Full capacity 153 Lt	Part code : PRT161240	Replace the	Material code		
Support weight 27 Kg	Scale 1:10	Replaced by	(X)=F:Steel DC03A EN 10130	General tolerances: ISO 2768 V	
Tank weight (F,I,T) kg (A) kg			(X)=I:Stainless steel AISI 304 UNI EN 10088		
Dimensions 400x706x636 mm			(X)=T:Textured stainless steel. AISI 304 UNI EN 10088		
			(X)=A:Aluminium EN AW 5754	Drawing format A3	
<small>OWNERSHIP OF THIS DRAWING IS RESERVED BY LAW AND MAY NOT BE REPRODUCED IN WHOLE OR IN PART WITHOUT PERMISSION OF PADOAN S.R.L.</small>			<small>DO NOT MAKE MEASUREMENTS ON DRAWING DO NOT CHANGE WITHOUT TECHNICAL OFFICE AUTHORIZATION</small>		