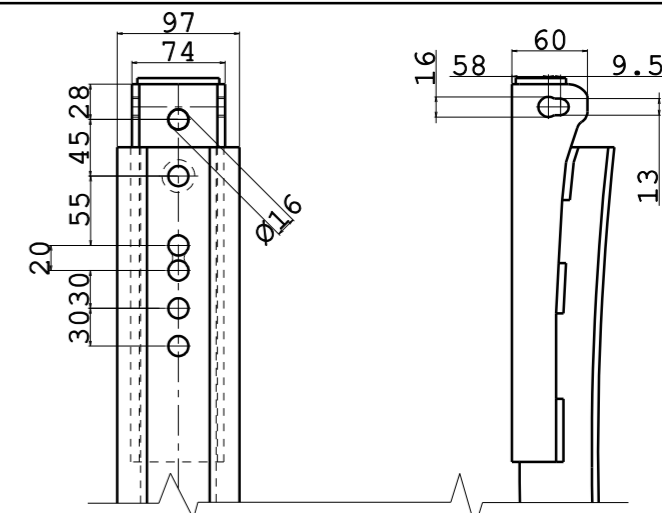


4 SUPPORT CONNECTION DETAIL



Scale 1:6

Tank composition

Pos.	Denomination	Q.ty
1	FILLING CAP	1
2	LEVEL INDICATOR VDO TYPE CONNECTION	1
3	DIESEL DRAINAGE	1
4	PARTITION	3
5	SUPPORT 70/70	2
6	STRAP	2
7	GROUND CONNECTION	1

MARK DETAIL



Tank dimension

Rev.	EMISSION	Date	MM Dis.	MM Ver.	BM App.
0		12/11/2014			
Description		Diesel oil tank 635 L Al/Steel/Stainl.Steel fam. 700x700			
Part name :		Diesel oil tank 635 L Al/Steel/Stainl.Steel fam. 700x700			
Part code :		XSG (X) 0635140C1GJ			
Full capacity		Replace the		Material code	
635 Lt				(X)=F:Steel DC 01 EK EN 10209	
Support weight		Replaced by		(X)=I:Stainless steel AISI 304	
40 Kg				(X)=T:Text.Stainl.Steel. AISI 304	
Tank weight				(X)=A:Aluminium EN AW 5754	
(F,I,T) kg (A) kg				General tolerances: ISO 2768 V	
Dimensions				Drawing format A3	
1400x700x700 mm				OWNERSHIP OF THIS DRAWING IS RESERVED BY LAW AND MAY NOT REPRODUCED IN WHOLE OR IN PART WITHOUT PERMISSION OF PADOAN S.R.L.	
				DO NOT MAKE MEASUREMENTS ON DRAWING DO NOT CHANGE WITHOUT TECHNICAL OFFICE AUTHORIZATION	

