



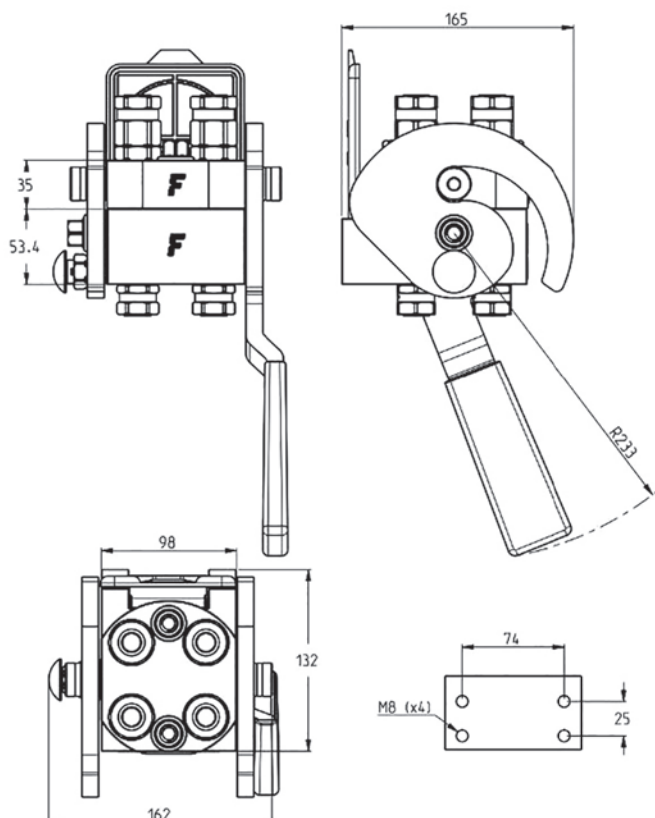
MF PH406S

MultiFaster, high pressure version, 4 lines size 06.

New multi-connection system specifically designed to withstand high pressure applications (46 MPa). Equipped with 4 lines size 06. Black cataphoresis plates with Zn-Ni plated carbon steel handle and cams or red paint plates with stainless steel handle and cams.



Applications



Technical Specifications

| dash | Size | | Working Pressure (MPa) | Flow Rate (l/min) | Spillage (ml) | Burst pressure (MPa) | | |
|------|------|------|------------------------|-------------------|---------------|----------------------|--------|---------------|
| | mm | inch | | | | Male | Female | Male + Female |
| 06 | 10 | 3/8" | 46 | 35 | 0.008 | 138 | 138 | 138 |

| | |
|----------------------|-----------------------------------|
| Material | Aluminium; Stainless Steel |
| Seals | NBR; PUR |
| Working temperatures | - 25 °C to + 100 °C |
| Surface treatment | MATE 1000 (ZnNi); Paint |

| | |
|---------------------------|-------------------------|
| Valve Type | Flat |
| Connection | Lever |
| Disconnection | Lever |
| Connection Under Pressure | Allowed Residual |



PH406S

| Size | | | | | Thread Type | | | | | FIXED |
|------|----|------|---------|---------------------|-------------|--------------|------------------|------------------------|----------------|------------------|
| dash | mm | inch | Housing | Number of Couplings | Thread Type | Standard | Thread | Electrical Connector N | Connector Type | Part Number |
| 06 | 10 | 3/8" | 4 | 4 | F BSPP | ISO 1179-1 | BSPP 3/8" FEMALE | | | PH406S-4-38G F C |
| 06 | 10 | 3/8" | 4 | 4 | 03/ METRIC | ISO 8434-1-S | M20x1.5 MALE 12S | | | PH406-4-A F C* |
| 06 | 10 | 3/8" | 4 | 4 | F BSPP | ISO 1179-1 | BSPP 3/8" FEMALE | | | PH406-4-38G F C* |

| Size | | | | | Thread Type | | | | | MOBILE |
|------|----|------|---------|---------------------|-------------|--------------|------------------|------------------------|----------------|-------------------|
| dash | mm | inch | Housing | Number of Couplings | Thread Type | Standard | Thread | Electrical Connector N | Connector Type | Part Number |
| 06 | 10 | 3/8" | 4 | 4 | F BSPP | ISO 1179-1 | BSPP 3/8" FEMALE | | | 3PH406S-4-38G M C |
| 06 | 10 | 3/8" | 4 | 4 | 03/ METRIC | ISO 8434-1-S | M20x1.5 MALE 12S | | | 3PH406-4-A M C* |
| 06 | 10 | 3/8" | 4 | 4 | F BSPP | ISO 1179-1 | BSPP 3/8" FEMALE | | | 3PH406-4-38G MC* |

*Red paint plates with stainless steel handle and cams version.

Spare Parts & Accessories

PH406

| Female Half | | | | Male Half | | | | | |
|---------------|-------|--------------|-------------|-------------|------------|---------|--------------|--------------|---------|
| Plates | Lever | Dust cover | Safety Lock | Plates | Seals male | Screws | Plugs | Guiding pins | Docking |
| KIT PH406 F L | | KIT TA PH406 | KIT SP5 7 | KIT PH406 M | SK MF 38 | KIT VPH | KIT TSP 12 M | KIT GPH | |

PH406S

| Female Half | | | | Male Half | | | | | |
|-------------|-------|--------------|-------------|-----------|------------|---------|-------|--------------|---------|
| Plates | Lever | Dust cover | Safety Lock | Plates | Seals male | Screws | Plugs | Guiding pins | Docking |
| | | KIT TA PH406 | | | | KIT VPH | | | |

