

CVV



Screw to connect couplings, ISO 14541 interchange.

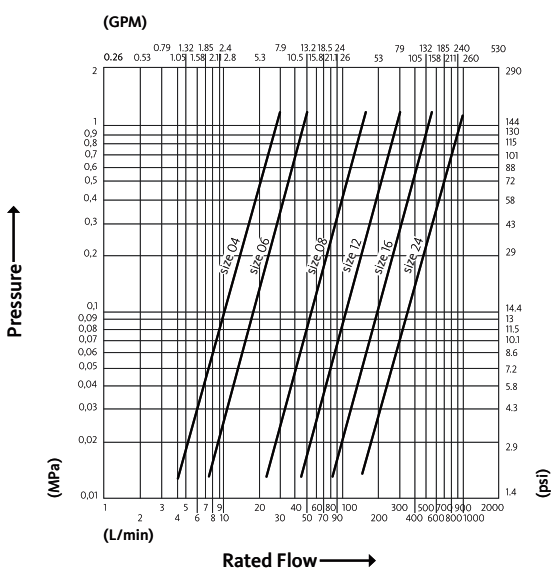
Screw-on couplings suitable for general purpose applications. Connectable under residual pressure. High resistance to pressure and flow impulses. Interchangeable according to ISO 14541 standard for size: 1/4"; 3/8"; 1/2"; 3/4".



Applications



Pressure Drop



Test performed according to ISO 18869

Technical Specifications

dash	Size mm	inch	Working Pressure* (MPa)	Flow Rate (l/min)	Spillage (ml)	Force to Connect (N)	Burst pressure (MPa)		
							Male	Female	Male + Female
04	6.3	1/4"	37	13	0.8	0	150	160	190
06	10	3/8"	30	25	1.3	0	120	130	170
08	12.5	1/2"	30	65	1.8	0	120	140	140
12	20	3/4"	27	100	8	0	110	120	130
16	25	1"	27	205	13	0	110	130	140
24	37.5	1-1/2"	27	450	34	0	110	110	100

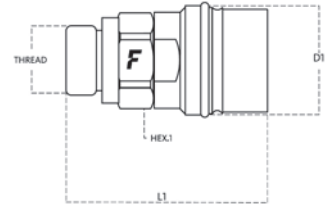
* Working Pressure according to ISO 14541, that requires a safety factor 4:1 on Minimum Burst Pressure. The coupling can perfectly work with a safety factor 3:1 and consequently with higher Working Pressure.

Material	Steel
Seals	NBR; VITON**
Working temperatures	- 25 °C to + 125 °C
Surface treatment	MATE 500 (CrIII)
Series Interchange	MARKET; ISO 14541

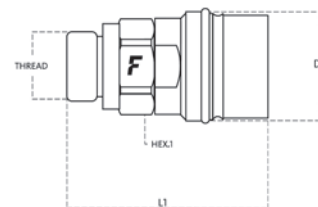
Valve Type	Poppet
Connection	Screw to Connect
Disconnection	Unscrew to Disconnect
Connection Under Pressure	Allowed Residual



** Working temperatures: - 20 °C to + 200 °C



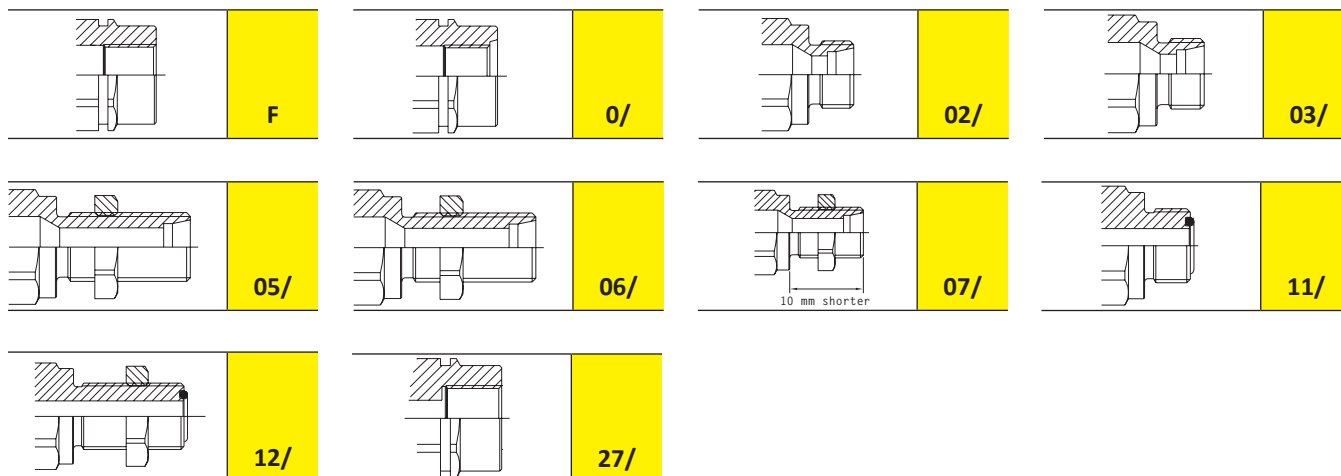
Size		Thread details			FEMALE						
mm	inch	Thread Type	Standard	Thread	Part Number	L (L1 + Thread)		D1		HEX1	
						mm	inch	mm	inch	mm	inch
6.3	1/4"	07/ METRIC	ISO 8434-1-L	M18x1.5 MALE BULKHEAD SHORT 12L	CVV047/1815 F	74	2.91	24	0.94	22	0.87
6.3	1/4"	07/ METRIC	ISO 8434-1-L	M14x1.5 MALE BULKHEAD SHORT 8L	CVV047/1415 F	74	2.91	24	0.94	19	0.75
6.3	1/4"	07/ METRIC	ISO 8434-1-L	M12x1.5 MALE BULKHEAD SHORT 6L	CVV047/1215 F	74	2.91	24	0.94	19	0.75
6.3	1/4"	27/ SAE	ISO 8434-3	9/16"-18 UNF FEMALE	CVV0427/14SAEF	62	2.44	24	0.94	19	0.75
6.3	1/4"	12/ SAE	ISO 8434-3	13/16"-16 UN MALE BULKHEAD ORFS	CVV0412/12S F	82.5	3.25	24	0.94	24	0.94
6.3	1/4"	F BSPP	ISO 1179-1	BSPP 1/4" FEMALE	CVV04 14 GAS F	63	2.48	24	0.94	19	0.75
10	3/8"	05/ METRIC	ISO 8434-1-L	M16x1.5 MALE BULKHEAD 10L	CVV065/1615 F	92	3.62	28	1.1	24	0.94
10	3/8"	02/ METRIC	ISO 8434-1-L	M16x1.5 MALE 10L	CVV062/1615 F	68	2.68	28	1.1	24	0.94
10	3/8"	F BSPP	ISO 1179-1	BSPP 3/8" FEMALE	CVV06 38 GAS F	71	2.8	28	1.1	24	0.94
12.5	1/2"	07/ METRIC	ISO 8434-1-L	M22x1.5 MALE BULKHEAD SHORT 15L	CVV087/2215 FV	72	2.83	36	1.42	27	1.06
12.5	1/2"	07/ METRIC	ISO 8434-1-L	M18x1.5 MALE BULKHEAD SHORT 12L	CVV087/1815 FV	72	2.83	36	1.42	27	1.06
12.5	1/2"	06/ METRIC	ISO 8434-1-S	M24x1.5 MALE BULKHEAD 16S	CVV086/2415 FV	81	3.19	36	1.42	27	1.06
12.5	1/2"	05/ METRIC	ISO 8434-1-L	M26x1.5 MALE BULKHEAD 18L	CVV085/2615 FV	81	3.19	40	1.57	27	1.06
12.5	1/2"	05/ METRIC	ISO 8434-1-L	M22x1.5 MALE BULKHEAD 15L	CVV085/2215 FV	81	3.19	36	1.42	27	1.06
12.5	1/2"	05/ METRIC	ISO 8434-1-L	M18x1.5 MALE BULKHEAD 12L	CVV085/1815 FV	81	3.19	36	1.42	27	1.06
12.5	1/2"	05/ METRIC	ISO 8434-1-L	M16x1.5 MALE BULKHEAD 10L	CVV085/1615 FV	81	3.19	36	1.42	27	1.06
12.5	1/2"	03/ METRIC	ISO 8434-1-S	M24x1.5 MALE 16S	CVV083/2415 FV	60	2.36	36	1.42	27	1.06
12.5	1/2"	03/ METRIC	ISO 8434-1-S	M22x1.5 MALE 14S	CVV083/2215 FV	60	2.36	36	1.42	27	1.06
12.5	1/2"	03/ METRIC	ISO 8434-1-S	M20x1.5 MALE 12S	CVV083/2015 FV	58	2.28	36	1.42	27	1.06
12.5	1/2"	27/ SAE	ISO 8434-3	1"-14 UNS FEMALE ORFS	CVV0827/58SAEFV	64	2.52	36	1.42	30	1.18
12.5	1/2"	02/ METRIC	ISO 8434-1-L	M26x1.5 MALE 18L	CVV082/2615 FV	58	2.28	36	1.42	27	1.06
12.5	1/2"	02/ METRIC	ISO 8434-1-L	M22x1.5 MALE 15L	CVV082/2215 FV	58	2.28	36	1.42	27	1.06
12.5	1/2"	02/ METRIC	ISO 8434-1-L	M18x1.5 MALE 12L	CVV082/1815 FV	57	2.24	36	1.42	27	1.06
12.5	1/2"	02/ METRIC	ISO 8434-1-L	M16x1.5 MALE 10L	CVV082/1615 FV	59	2.32	36	1.42	27	1.06
12.5	1/2"	0/ BSPP	BS 5380	BSPP 3/8 FEMALE ORB	CVV080/38GAS FV	57	2.24	36	1.42	27	1.06
12.5	1/2"	0/ METRIC	ISO 6149-1	M22x1.5 FEMALE ORB	CVV080/2215 FV	61	2.4	36	1.42	27	1.06
12.5	1/2"	0/ SAE	ISO 11926-1	3/4"-16 UNF FEMALE ORB	CVV080/12SAE FV	61	2.4	36	1.42	27	1.06
12.5	1/2"	0/ BSPP	BS 5380	BSPP 1/2 FEMALE ORB	CVV080/12GAS FV	61	2.4	36	1.42	27	1.06
12.5	1/2"	F BSPP	ISO 1179-1	BSPP 3/8" FEMALE	CVV08 38 GAS FV	57	2.24	36	1.42	27	1.06
12.5	1/2"	F BSPP	ISO 1179-1	BSPP 1/2" FEMALE	CVV08 12 GAS FV	61	2.4	36	1.42	27	1.06
20	3/4"	F BSPP	ISO 1179-1	BSPP 3/4" FEMALE	CVV12 34 GAS FV	83	3.27	42	1.65	38	1.5
20	3/4"	0/ SAE	ISO 11926-1	1-1/16"-12 UN FEMALE ORB	CVV120/34SAE FV	83	3.27	42	1.65	38	1.5
25	1"	06/ METRIC	ISO 8434-1-S	M42x2 MALE BULKHEAD 30S	CVV166/422 F V	110	4.33	56	2.2	50	1.97
25	1"	06/ METRIC	ISO 8434-1-S	M36x2 MALE BULKHEAD 25S	CVV166/362 F V	113	4.45	52	2.05	42	1.65
25	1"	06/ METRIC	ISO 8434-1-S	M30x2 MALE BULKHEAD 20S	CVV166/302 F V	114	4.49	48	1.89	38	1.5
25	1"	05/ METRIC	ISO 8434-1-L	M36x2 MALE BULKHEAD 28L	CVV165/362 F V	106	4.17	52	2.05	42	1.65
25	1"	05/ METRIC	ISO 8434-1-L	M30x2 MALE BULKHEAD 22L	CVV165/302 F V	109	4.29	48	1.89	41	1.61
25	1"	03/ METRIC	ISO 8434-1-S	M42x2 MALE 30S	CVV163/422 F V	90	3.54	51	2.01	46	1.81
25	1"	03/ METRIC	ISO 8434-1-S	M36x2 MALE 25S	CVV163/362 F V	93	3.66	48	1.89	38	1.5
25	1"	03/ METRIC	ISO 8434-1-S	M30x2 MALE 20S	CVV163/302 F V	92	3.62	48	1.89	38	1.5
25	1"	02/ METRIC	ISO 8434-1-L	M36x2 MALE 28L	CVV162/362 F V	87	3.43	48	1.89	38	1.5
25	1"	11/ SAE	ISO 8434-3	1-7/16"-12 UN MALE ORFS	CVV1611/1SAE FV	96	3.78	55	2.17	50	1.97
25	1"	11/ SAE	ISO 8434-3	1-11/16"-12 UN MALE ORFS	CVV1611/114S FV	96	3.78	55	2.17	50	1.97
25	1"	0/ BSPP	BS 5380	BSPP 3/4 FEMALE ORB	CVV160/34GASFV	90	3.54	48	1.89	38	1.5
25	1"	0/ BSPP	BS 5380	BSPP 1 FEMALE ORB	CVV160/1GAS FV	93	3.66	48	1.89	42	1.65
25	1"	F BSPP	ISO 1179-1	BSPP 3/4" FEMALE	CVV16 34 GAS FV	89	3.5	48	1.89	38	1.5

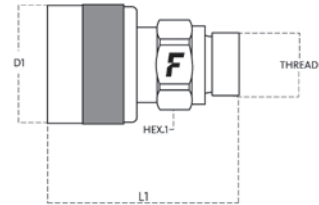


CVV

Size		Thread details			FEMALE						
mm	inch	Thread Type	Standard	Thread	Part Number	L (L1 + Thread)		D1		HEX1	
						mm	inch	mm	inch	mm	inch
25	1"	F BSPP	ISO 1179-1	BSPP 1" FEMALE	CVV16 1 GAS FV	94	3.7	46	1.81	42	1.65
37.5	1-1/2"	06/ METRIC	ISO 8434-1-S	M52x2 MALE BULKHEAD 38S	CVV246/522 F V	137	5.39	73	2.87	55	2.17
37.5	1-1/2"	06/ METRIC	ISO 8434-1-S	M42x2 MALE BULKHEAD 30S	CVV246/422 F V	135	5.31	70	2.76	55	2.17
37.5	1-1/2"	05/ METRIC	ISO 8434-1-L	M45x2 MALE BULKHEAD 35L	CVV245/452 F V	131	5.16	70	2.76	55	2.17
37.5	1-1/2"	03/ METRIC	ISO 8434-1-S	M52x2 MALE 38S	CVV243/522 F V	117	4.61	70	2.76	55	2.17
37.5	1-1/2"	03/ METRIC	ISO 8434-1-S	M42x2 MALE 30S	CVV243/422 F V	115	4.53	70	2.76	55	2.17
37.5	1-1/2"	02/ METRIC	ISO 8434-1-L	M45x2 MALE 35L	CVV242/452 F V	111	4.37	70	2.76	55	2.17
37.5	1-1/2"	F BSPP	ISO 1179-1	BSPP 1-1/2" FEMALE	CVV24 112GAS FV	121	4.76	72	2.83	65	2.56

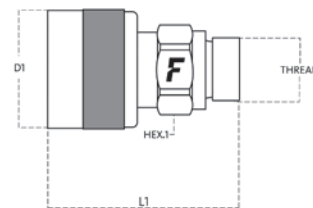
Part numbers ending in V have seals in FKM and consequently a Working Temperature of -20 °C + 200 °C.





Size		Thread details			MALE									
mm	inch	Thread Type	Standard	Thread	Part Number	L (L1 + Thread)		D1		D3		HEX1		
						mm	inch	mm	inch	mm	inch	mm	inch	
6.3	1/4"	27/ SAE	ISO 8434-3	9/16"-18 UNF FEMALE	CVV0427/14SAEM	62	2.44	30	1.18			19	0.75	
6.3	1/4"	02/ METRIC	ISO 8434-1-L	M18x1.5 MALE 12L	CVV042/1815 M	59	2.32	30	1.18			22	0.87	
6.3	1/4"	02/ METRIC	ISO 8434-1-L	M14x1.5 MALE 8L	CVV042/1415 M	58	2.28	30	1.18			19	0.75	
6.3	1/4"	02/ METRIC	ISO 8434-1-L	M12x1.5 MALE 6L	CVV042/1215 M	58	2.28	30	1.18			19	0.75	
6.3	1/4"	11/ SAE	ISO 8434-3	13/16"-16 UN MALE ORFS	CVV0411/12S M	61	2.4	30	1.18			22	0.87	
6.3	1/4"	F BSPP	ISO 1179-1	BSPP 1/4" FEMALE	CVV04 14 GAS M	63	2.48	30	1.18			19	0.75	
10	3/8"	02/ METRIC	ISO 8434-1-L	M18x1.5 MALE 12L	CVV062/1815 M	68	2.68	34	1.34			24	0.94	
10	3/8"	02/ METRIC	ISO 8434-1-L	M16x1.5 MALE 10L	CVV062/1615 M	66	2.6	34	1.34			24	0.94	
10	3/8"	F BSPP	ISO 1179-1	BSPP 3/8" FEMALE	CVV06 38 GAS M	70	2.76	34	1.34			24	0.94	
12.5	1/2"	07/ METRIC	ISO 8434-1-L	M22x1.5 MALE BULKHEAD SHORT 15L	CVV087/2215 MV	81	3.19	42	1.65			27	1.06	
12.5	1/2"	07/ METRIC	ISO 8434-1-L	M18x1.5 MALE BULKHEAD SHORT 12L	CVV087/1815 MV	81	3.19	42	1.65			27	1.06	
12.5	1/2"	06/ METRIC	ISO 8434-1-S	M24x1.5 MALE BULKHEAD 16S	CVV086/2415 MV	90	3.54	42	1.65			27	1.06	
12.5	1/2"	06/ METRIC	ISO 8434-1-S	M22x1.5 MALE BULKHEAD 14S	CVV086/2215 MV	90	3.54	42	1.65			27	1.06	
12.5	1/2"	05/ METRIC	ISO 8434-1-L	M22x1.5 MALE BULKHEAD 15L	CVV085/2215 MV	90	3.54	42	1.65			27	1.06	
12.5	1/2"	05/ METRIC	ISO 8434-1-L	M18x1.5 MALE BULKHEAD 12L	CVV085/1815 MV	90	3.54	42	1.65			27	1.06	
12.5	1/2"	03/ METRIC	ISO 8434-1-S	M24x1.5 MALE 16S	CVV083/2415 MV	69	2.72	42	1.65			27	1.06	
12.5	1/2"	03/ METRIC	ISO 8434-1-S	M22x1.5 MALE 14S	CVV083/2215 MV	69	2.72	42	1.65			27	1.06	
12.5	1/2"	03/ METRIC	ISO 8434-1-S	M20x1.5 MALE 12S	CVV083/2015 MV	67	2.64	42	1.65			27	1.06	
12.5	1/2"	27/ SAE	ISO 8434-3	1"-14 UNS FEMALE ORFS	CVV0827/58SAEMV	73	2.87	42	1.65			30	1.18	
12.5	1/2"	02/ METRIC	ISO 8434-1-L	M26x1.5 MALE 18L	CVV082/2615 MV	67	2.64	42	1.65			27	1.06	
12.5	1/2"	02/ METRIC	ISO 8434-1-L	M22x1.5 MALE 15L	CVV082/2215 MV	67	2.64	42	1.65			27	1.06	
12.5	1/2"	02/ METRIC	ISO 8434-1-L	M18x1.5 MALE 12L	CVV082/1815 MV	66	2.6	42	1.65			27	1.06	
12.5	1/2"	02/ METRIC	ISO 8434-1-L	M16x1.5 MALE 10L	CVV082/1615 MV	67	2.64	42	1.65			27	1.06	
12.5	1/2"	0/ BSPP	BS 5380	BSPP 3/8 FEMALE ORB	CVV080/38GAS MV	66	2.6	42	1.65			27	1.06	
12.5	1/2"	0/ METRIC	ISO 6149-1	M22x1.5 FEMALE ORB	CVV080/2215 MV	70	2.76	42	1.65			27	1.06	
12.5	1/2"	0/ SAE	ISO 11926-1	3/4"-16 UNF FEMALE ORB	CVV080/12SAE MV	70	2.76	42	1.65			27	1.06	
12.5	1/2"	0/ BSPP	BS 5380	BSPP 1/2 FEMALE ORB	CVV080/12GAS MV	70	2.76	42	1.65			27	1.06	
12.5	1/2"	F BSPP	ISO 1179-1	BSPP 3/8" FEMALE	CVV08 38 GAS MV	66	2.6	42	1.65			27	1.06	
12.5	1/2"	F BSPP	ISO 1179-1	BSPP 1/2" FEMALE	CVV08 12 GAS MV	70	2.76	42	1.65			27	1.06	
20	3/4"	0/ SAE	ISO 11926-1	1-1/16"-12 UN FEMALE ORB	CVV120/34SAE MV	86	3.39	48	1.89			38	1.5	
20	3/4"	F BSPP	ISO 1179-1	BSPP 3/4" FEMALE	CVV12 34 GAS MV	86	3.39	48	1.89			38	1.5	
25	1"	06/ METRIC	ISO 8434-1-S	M42x2 MALE BULKHEAD 30S	CVV166/422 M V	110	4.33	56	2.2			50	1.97	
25	1"	06/ METRIC	ISO 8434-1-S	M36x2 MALE BULKHEAD 25S	CVV166/362 M V	113	4.45	56	2.2			42	1.65	
25	1"	06/ METRIC	ISO 8434-1-S	M30x2 MALE BULKHEAD 20S	CVV166/302 M V	115	4.53	56	2.2			38	1.5	
25	1"	05/ METRIC	ISO 8434-1-L	M36x2 MALE BULKHEAD 28L	CVV165/362 M V	107	4.21	56	2.2			42	1.65	
25	1"	03/ METRIC	ISO 8434-1-S	M42x2 MALE 30S	CVV163/422 M V	90	3.54	56	2.2			38	1.5	
25	1"	03/ METRIC	ISO 8434-1-S	M30x2 MALE 20S	CVV163/302 M V	93	3.66	56	2.2			38	1.5	
25	1"	02/ METRIC	ISO 8434-1-L	M36x2 MALE 28L	CVV162/362 M V	88	3.46	56	2.2			38	1.5	
25	1"	02/ METRIC	ISO 8434-1-L	M30x2 MALE 22L	CVV162/302 M V	89	3.5	56	2.2			38	1.5	
25	1"	11/ SAE	ISO 8434-3	1-7/16"-12 UN MALE ORFS	CVV1611/1SAE MV	97	3.82	56	2.2			50	1.97	
25	1"	11/ SAE	ISO 8434-3	1-11/16"-12 UN MALE ORFS	CVV1611/114S MV	97	3.82	56	2.2			50	1.97	
25	1"	0/ BSPP	BS 5380	BSPP 3/4 FEMALE ORB	CVV160/34GASMV	90	3.54	56	2.2			38	1.5	
25	1"	0/ BSPP	BS 5380	BSPP 1 FEMALE ORB	CVV160/1GAS MV	49	1.93	56	2.2			42	1.65	
25	1"	0/ SAE	ISO 11926-1	1-3/16"-12 UN FEMALE ORB	CVV16 78S M V	93	3.66	56	2.2			42	1.65	

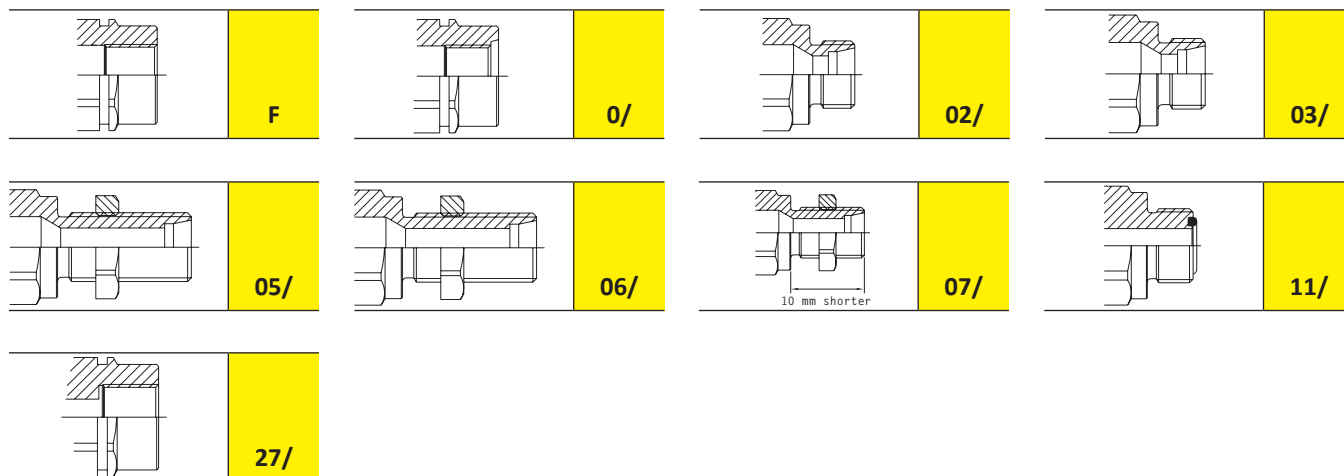
CVV



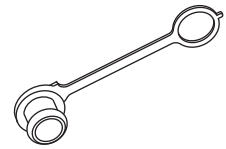
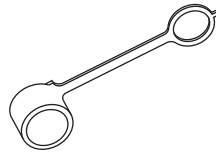
Size		Thread details			MALE									
mm	inch	Thread Type	Standard	Thread	Part Number	L (L1 + Thread)		D1		D3		HEX1		
						mm	inch	mm	inch	mm	inch	mm	inch	
25	1"	03/ METRIC	ISO 8434-1-S	M36x2 MALE 25S	CVV163/362 M V	93	3.66	56	2.2			38	1.5	
25	1"	F BSPP	ISO 1179-1	BSPP 3/4" FEMALE	CVV16 34 GAS MV	90	3.54	56	2.2			38	1.5	
25	1"	F BSPP	ISO 1179-1	BSPP 1" FEMALE	CVV16 1 GAS MV	95	3.74	56	2.2			42	1.65	
37.5	1-1/2"	06/ METRIC	ISO 8434-1-S	M52x2 MALE BULKHEAD 38S	CVV246/522 M V	147	5.79	80	3.15			55	2.17	
37.5	1-1/2"	03/ METRIC	ISO 8434-1-S	M52x2 MALE 38S	CVV243/522 M V	127	5	80	3.15			55	2.17	
37.5	1-1/2"	03/ METRIC	ISO 8434-1-S	M42x2 MALE 30S	CVV243/422 M V	125	4.92	80	3.15			55	2.17	
37.5	1-1/2"	F BSPP	ISO 1179-1	BSPP 1-1/2" FEMALE	CVV24 112GAS MV	131	5.16	80	3.15			65	2.56	

Part numbers ending in V have seals in FKM and consequently a Working Temperature of -20 °C + 200 °C.

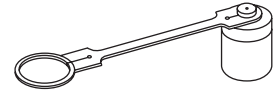
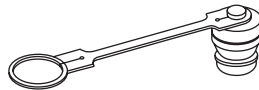
Screw to Connect



CVV Accessories and Spares



Plastic dust protections



Aluminium dust protections



Seals Kits