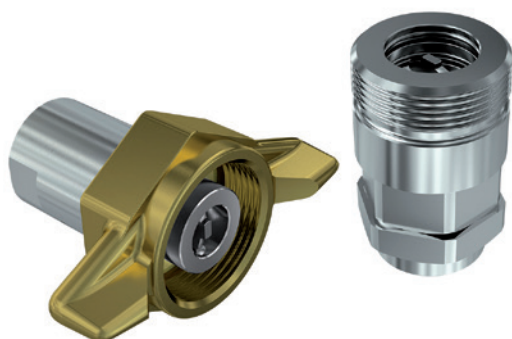


CVE



Screw to connect couplings for road machines applications.

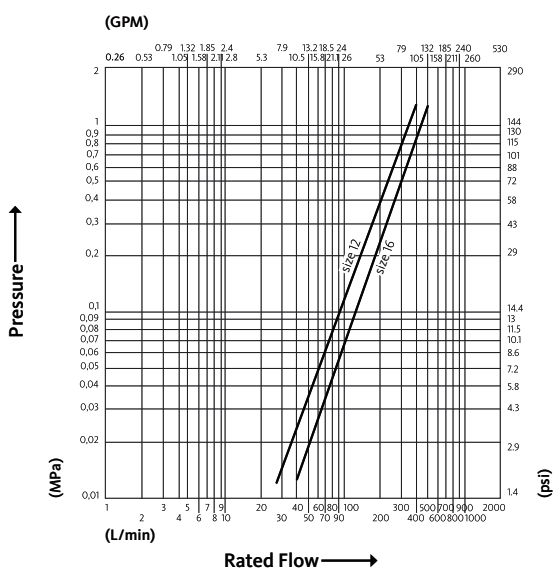
Couplings designed for the transport industry. Composed by a screw-on sleeve (brass) and wings nuts with hexagon shape.



Applications



Pressure Drop



Technical Specifications

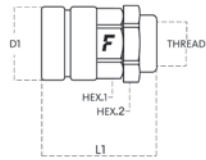
dash	Size mm	inch	Working Pressure (MPa)	Flow Rate (l/min)	Spillage (ml)	Force to Connect (N)	Burst pressure (MPa)		
							Male	Female	Male + Female
12	20	3/4"	36	120	10	0	110	130	130
16	25	1"	30	160	15	0	120	90	130

Material	Steel
Seals	NBR
Working temperatures	- 25 °C to + 125 °C
Surface treatment	MATE 500 (CrIII)
Series Interchange	MARKET

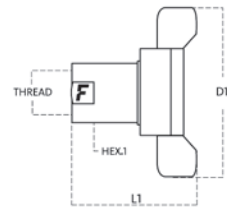
Valve Type	Poppet
Connection	Screw to Connect
Disconnection	Unscrew to Disconnect
Connection Under Pressure	Allowed Residual



CVE



Size		Thread details			FEMALE						
mm	inch	Thread Type	Standard	Thread	Part Number	L (L1 + Thread)		D1		HEX1	
						mm	inch	mm	inch	mm	inch
20	3/4"	F BSPP	ISO 1179-1	BSPP 3/4" FEMALE	CVE 34 GAS F	78	3.07	51	2.01	46	1.81
25	1"	F BSPP	ISO 1179-1	BSPP 1" FEMALE	CVE 1 GAS F	85	3.35	54	2.13	46	1.81



Size		Thread details			MALE								
mm	inch	Thread Type	Standard	Thread	Part Number	L (L1 + Thread)		D1		D3		HEX1	
						mm	inch	mm	inch	mm	inch	mm	inch
20	3/4"	F BSPP	ISO 1179-1	BSPP 3/4" FEMALE	CVE 34 GAS M	84	3.31	100	3.94			34	1.34
25	1"	F BSPP	ISO 1179-1	BSPP 1" FEMALE	CVE 1 GAS M	94.4	3.72	127	5			41	1.61

CVE Accessories and Spares



Aluminium dust protections

