

PB T1 81-121



Frame size T1 -	81	121
Displacement [cm ³ /rev]	81.5	118.5
Max flow ¹⁾ [l/min]	163	190
Max operating pressure [bar]		
continuous	250	250
intermittent ³⁾	350	350
Shaft speed [rpm]		
- short circuited pump (low press.)	2300	2300
max speed ²⁾	2000	1600
Torque ¹⁾ [Nm]		
at 200 bar	258	376
at 350 bar	453	658
Max input power ³⁾ [kW]	95	111
Weight [kg]	8.5	12.5

1) Theoretical values

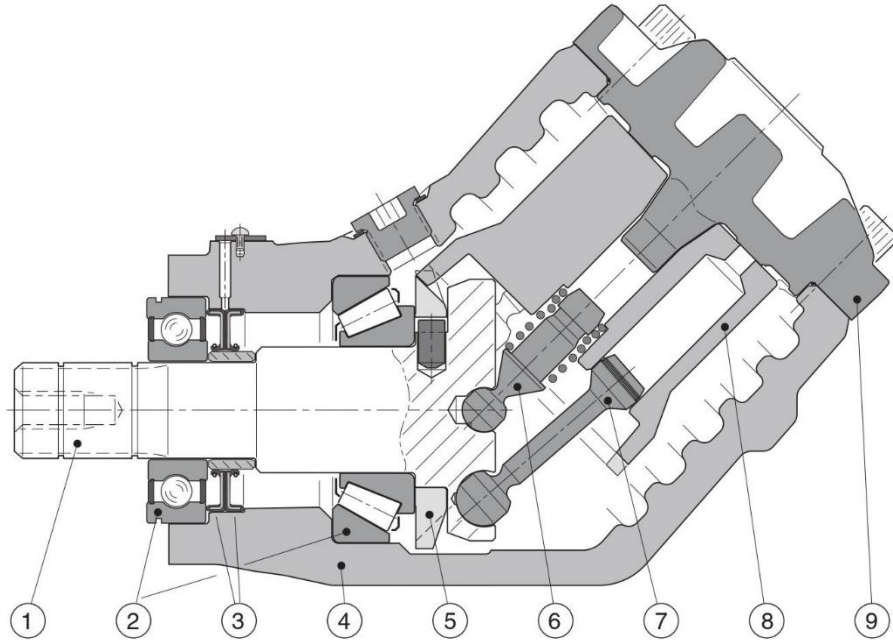
2) Valid at an inlet pressure of 1.0 bar (abs.) when operating on mineral oil at a viscosity of 30 mm²/s (cSt).

3) Max 6 seconds in any one minute.

NOTE: For noise level information, contact Parker Hannifin.

Pump cross section

(T1-121 shown)



- 1. Input shaft
- 2. Bearings
- 3. Shaft seals

- 4. Housing
- 5. Timing gear
- 6. Barrel support

- 7. Piston with piston ring
- 8. Cylinder barrel
- 9. End cap

Ordering code

Example:

T1 - 81 - R

T1 frame size
81 or **121**

Shaft rotation
R Right hand
L Left hand

Port size

T1 frame size	Pressure port ¹⁾
-81	3/4"
-121	1"

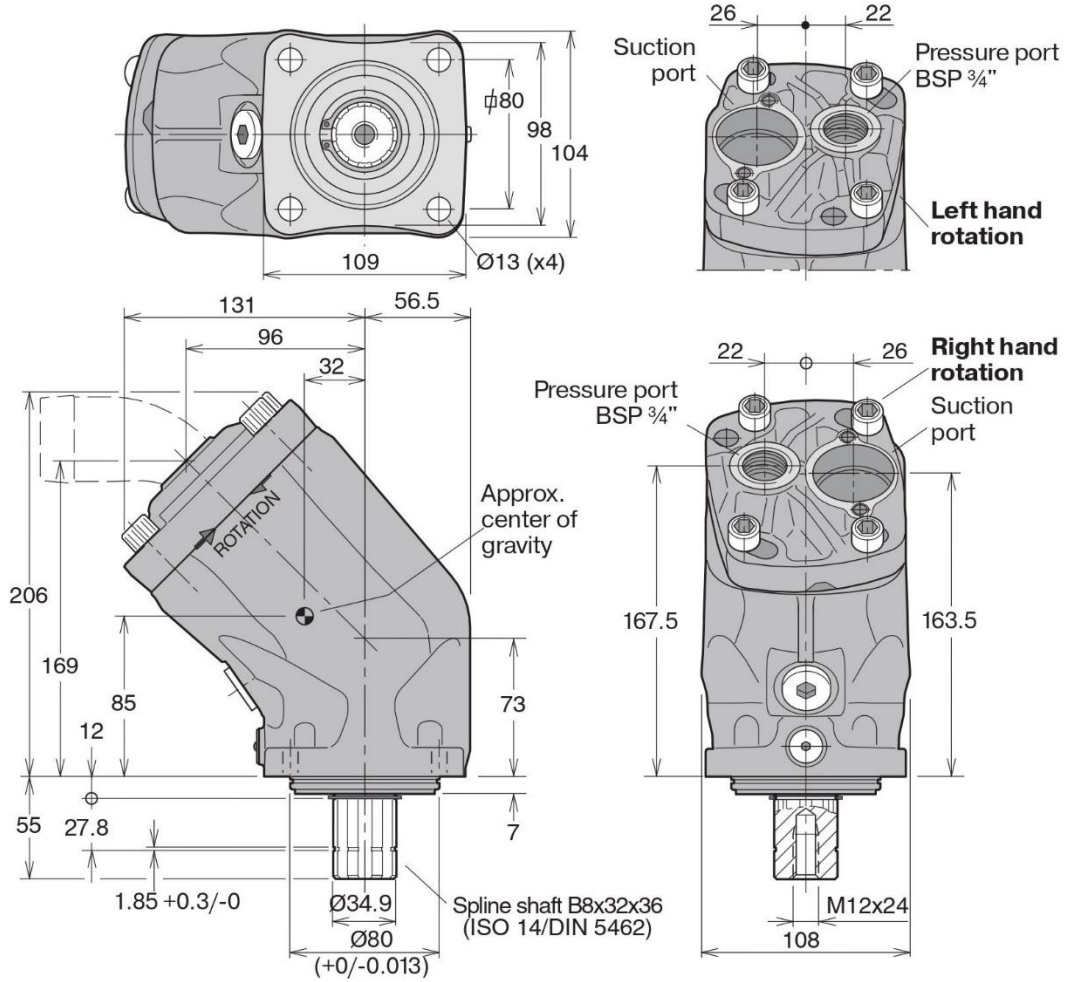
¹⁾ BSP thread (fitting not included).

Standard versions

Designation	Ordering no.
T1-81-R	378 2180
T1-81-L	378 2181
T1-121-R	378 2120
T1-121-L	378 2121

NOTE: The pump **does not** include a suction fitting; it must be ordered separately.

T1-81



PB T1 81-121



T1-121

