



## SAP/SAPT 012-130 DIN



**SAP/SAPT 012-130 DIN is a series of light weight casing piston pumps with a fixed displacement for demanding mobile hydraulics.**

SAP 012-108 DIN covers the displacement range 12-108 cm<sup>3</sup>/rev. at a maximum pressure of 400 bar. It is a modern, compact pump which meets the market's high demands on flow performance, pressure, efficiency and small installation dimensions. The pump is either mounted directly on the power take-off or on a frame bracket via an intermediate shaft.

SAPT 090, 130 is an addition to the SAP series that supports larger flows and pressure up to 300 bar. Ideal for applications that require both a high flow and a high working pressure.

#### Other advantages:

- Light weight metal casing design
- Smooth operation over the entire speed range
- Long life due to high demands on material selection, such as bearings, seals, etc
- Corrosion free light metal-housing
- Less heat generation due to better ability to dissipate heat through housing

## SAP/SAPT 012-130 DIN

### Versions, main data

Example

SA	P	-	084	L	-	N	-	DL4	-	L35	-	S0	S	-	0	00
Line	1		2	3		4		5		6		7	8		9	10

Line	SA	Sunfab Aluminium
------	----	------------------

7. Connection cover	S0	40° Sunfab standard
---------------------	----	---------------------

1. Type	P	Pump
	PT*	Tipper pump

8. Connections	S	Sunfab standard
----------------	---	-----------------

\*Only available in 090 and 130

9. Additional	0	-
---------------	---	---

2. Displacement	012	017	025	034	040	047	056	064	084	090*	108	130*
-----------------	-----	-----	-----	-----	-----	-----	-----	-----	-----	------	-----	------

\*Only available as SAPT

10. Accessories	00	No accessories available
-----------------	----	--------------------------

3. Direction of rotation	R	Right
	L	Left

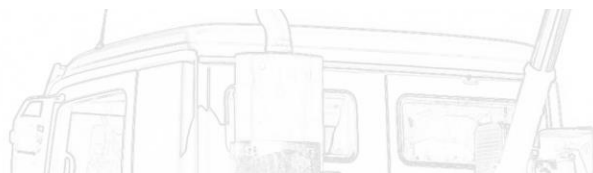
4. Shaft seal	N	Nitrile
	V*	HNBR

\* Can withstand higher temperature, e.g. on engine PTO. Only available for 040-084 & 108.

5. Mounting flange	DL4	DIN 4-h (ISO 7653D)
--------------------	-----	---------------------

6. Shaft	L35	DIN 5462 / ISO 14
	H35*	DIN 5462 / ISO 14 Ø 8.15

\*Not available on SAPT



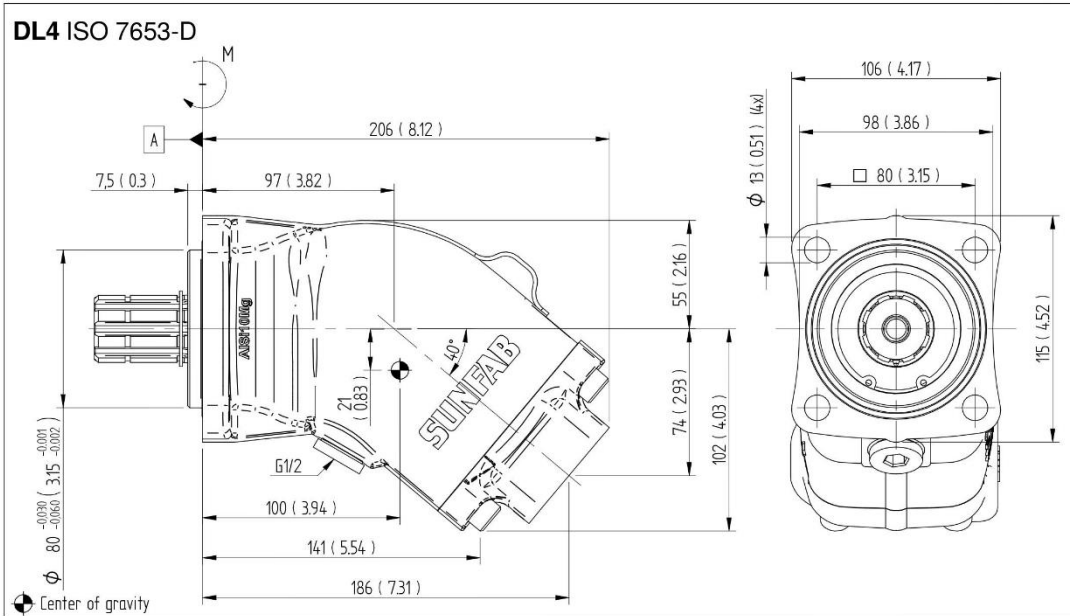
## SAP/SAPT 012-130 DIN

SAP/SAPT 012-130 DIN		012	017	025	034	040	047	056	064	084	090*	108	130*	
Theoretical oil flow l/min at pump speed		l/min												
	rpm	500	6	9	13	17	21	24	28	32	42	45	54	65
		1000	13	17	25	34	41	47	57	64	84	90	108	130
		1500	19	26	38	51	62	71	85	95	125	135	162	195
Displacement	cm <sup>3</sup> /rev	12.6	17.0	25.4	34.2	41.2	47.1	56.7	63.6	83.6	90.0	108.0	130.0	
Max pump speed		rpm												
	continuous	2300	2300	2300	2300	1900	1900	1900	1900	1600	1500	1600	1500	
intermittent		3000	3000	3000	3000	2500	2500	2500	2500	2100	2000	2100	2000	
Max working pressure	bar	400	400	400	400	400	400	400	400	400	300	400	300	
Weight	kg	6.9	6.9	7.1	7.1	9.8	9.8	9.8	9.8	13.9	9.8	13.9	13.9	
Tare-weight torque (M)	Nm	6.7	6.7	7.0	7.0	11.5	11.5	11.5	11.5	18.5	11.5	18.5	18.5	
Direction of rotation		Left (L) or Right (R)												

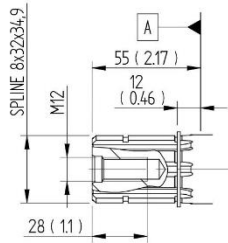
\*SAPT

## Dimensions SAP 012-034 DIN

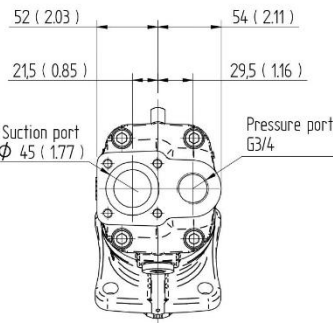
Millimeter (inch)



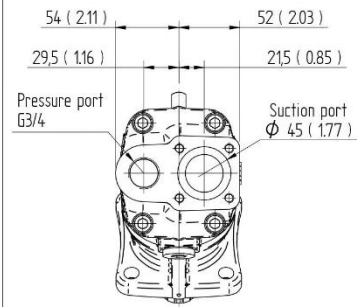
### L35 DIN 5462 / ISO 14



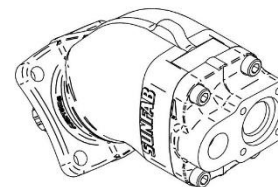
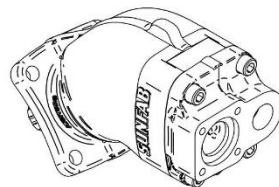
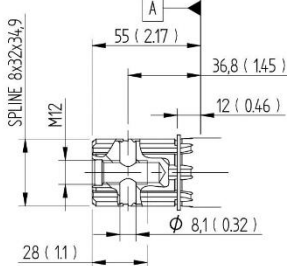
### S0S Left rotation (L)



### S0S Right rotation (R)



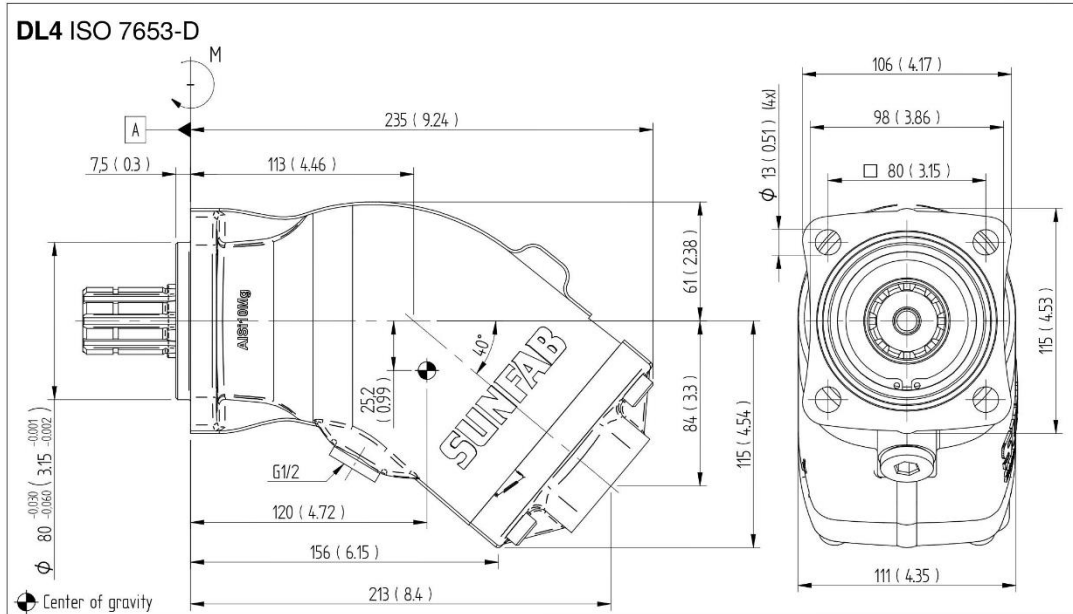
### H35 DIN 5462 / ISO 14



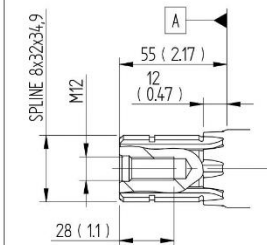


## Dimensions SAP 040-064 DIN, SAPT 090 DIN

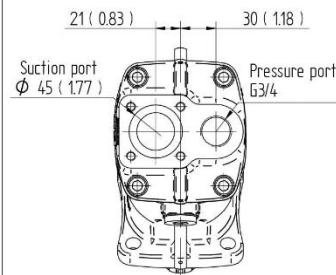
Millimeter (inch)



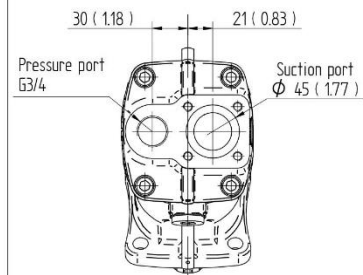
### L35 DIN 5462 / ISO 14



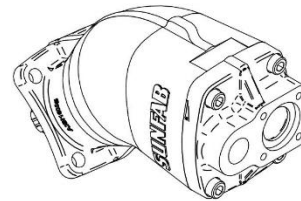
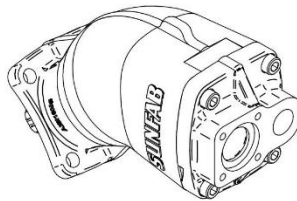
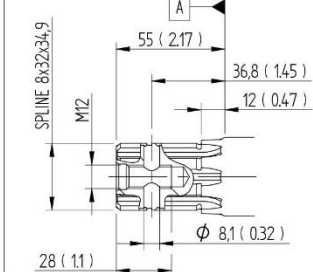
### S0S Left rotation (L)



### S0S Right rotation (R)



### H35 DIN 5462 / ISO 14



## Dimensions SAP 084-108 DIN, SAPT 130 DIN

Millimeter (inch)

