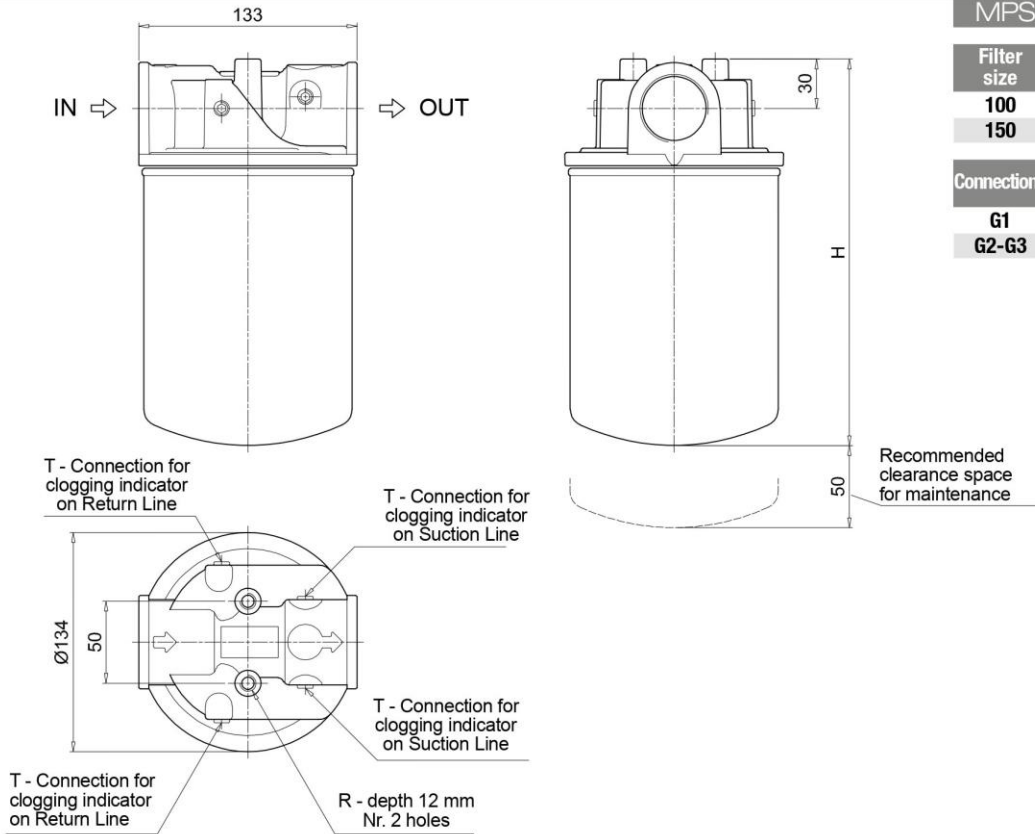


PRODUCT SHEET MPS100/150-R-G



MPS100 - MPS150	
Filter size	H [mm]
100	246
150	295
Connections	T R
G1	G 1/8" M8
G2-G3	1/8" NPT 5/16" UNC

MPS MPS100 - MPS150

Designation & Ordering code

COMPLETE FILTER

Series and size	Configuration example : MPS100 R G1 A10 A P01
MPS100 MPS150 With connections for clogging indicators	
MPS101 MPS151 With connections for differential indicators	
Bypass valve	MPS 100 - 150
R Return: 1.75 bar	•
S Suction: 30 kPa	•
U Without bypass	•
P Without bypass	
Connections	
G1 G 1 1/4"	
G2 1 1/4" NPT	
G3 SAE 20 - 1 5/8" - 12 UN	
Filtration rating (filter media)	
A03 Inorganic microfiber 3 µm	M25 Wire mesh 25 µm
A06 Inorganic microfiber 6 µm	M60 Wire mesh 60 µm
A10 Inorganic microfiber 10 µm	M90 Wire mesh 90 µm
A25 Inorganic microfiber 25 µm	P10 Resin impregnated paper 10 µm
	P25 Resin impregnated paper 25 µm
Seal	Execution
A NBR	P01 MP Filtri standard