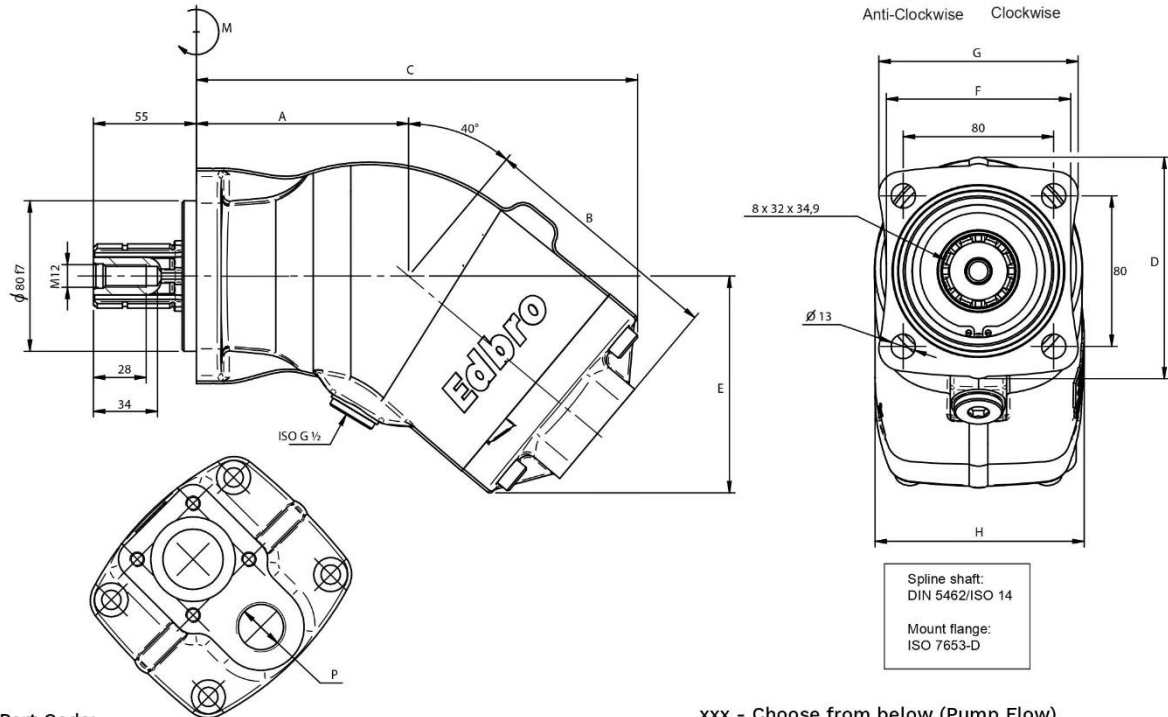


PB EBA crane pump



EBA Crane Pump

Technical Specification



Part Code:

EBA /xxx/41/#

xxx - Choose from below (Pump Flow)

012 017 025 034 040 047 056 064 084 108

Theoretical oil flow l / min at pump speed		l / min										
rpm		500	6.3	8.5	12.7	17.1	20.6	23.5	28.0	31.8	41.5	54.0
		1000	12.6	17.0	25.4	34.2	41.2	47.1	56.0	63.6	83.6	108.0
		1500	18.9	25.5	38.1	51.3	61.8	70.6	84.0	95.4	125.4	162.0
Displacement	cm ³ /rev		12.6	17.0	25.4	34.2	41.2	47.1	56.0	63.6	83.6	108.0
Max pump speed												
continuous	rpm		2300	2300	2300	2300	1900	1900	1900	1900	1600	1600
limited			3000	3000	3000	3000	2500	2500	2500	2500	2100	2100
Max working pressure	bar		400	400	400	400	400	400	400	400	400	400
Weight	kg		6.9	6.9	7.1	7.1	9.8	9.8	9.8	9.8	13.9	13.9
Dimensions	mm	A	97	97	97	97	113	113	113	113	122	122
		B	116	116	116	116	131	131	131	131	147	147
		C	206	206	206	206	235	235	235	235	264	264
		D	115	115	115	115	118	118	118	118	127	127
		E	102	102	102	102	115	115	115	115	133	133
		F	98	98	98	98	98	98	98	98	98	98
		G	106	106	106	106	106	106	106	106	106	106
		H	97	97	97	97	111	111	111	111	118	118
ISO G	P		3/4	3/4	3/4	3/4	3/4	3/4	3/4	3/4	1	1
Self-weight moment (M)	Nm		6.0	6.0	6.5	6.5	11.5	11.5	11.5	11.5	18.0	18.0

xxx- Pump Flow cc/rev

41- 400 bar

#- Direction of Rotation- Part codes ending in (C) will refer to Clockwise rotation, (A) will refer to Anti-clockwise rotation.

For installation and oil recommendations please refer to the General Instructions document. www.technical.edbro.com