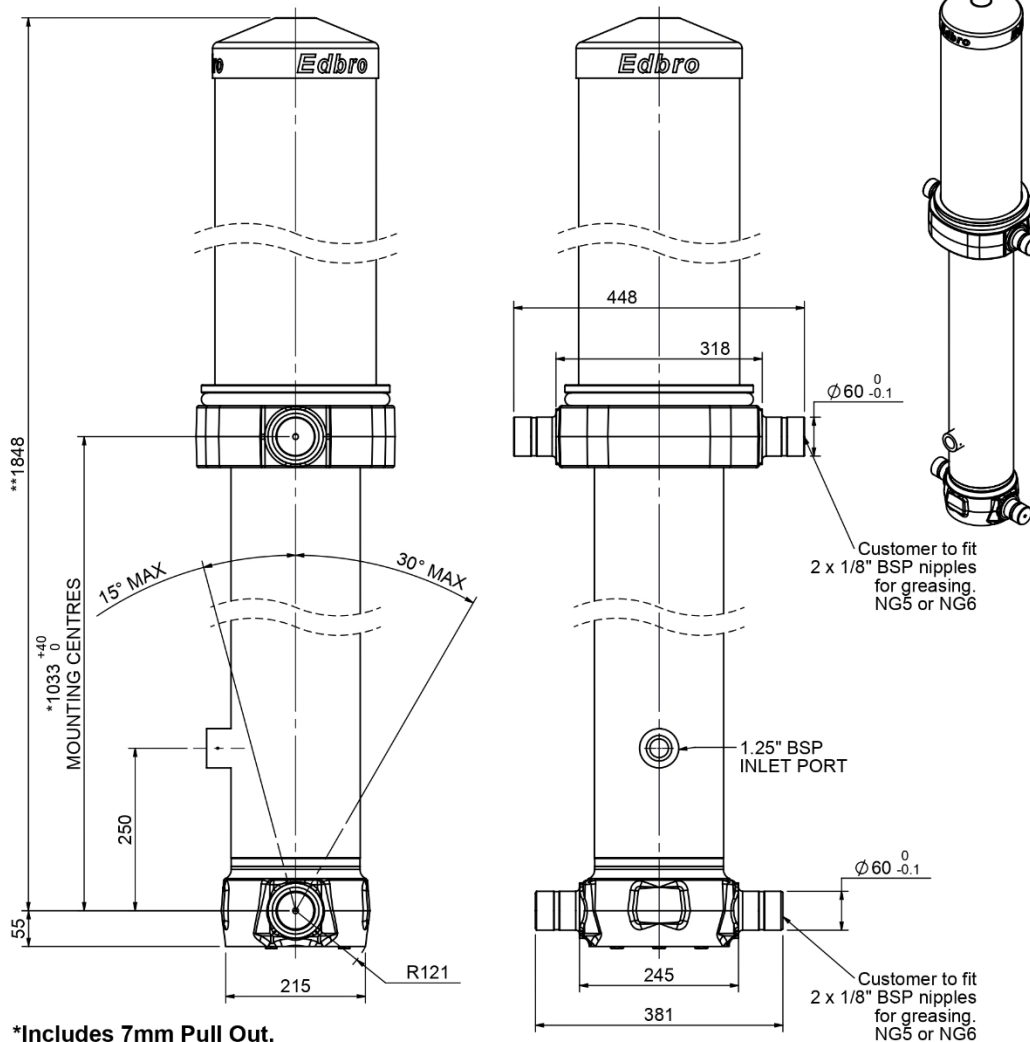


Cylinder 5 stage front end with outer cover

**ALLOW 50mm TO REMOVE CAP FOR SERVICING



*Includes 7mm Pull Out.

CS17L057733B25A15

| SPECIFICATION | | TIPPING CAPACITY : 29-39 TONNES*** | | |
|-------------------------|----------|------------------------------------|--------|--------------|
| Stage | Diameter | Length | Stroke | Swept Volume |
| OUTER COVER | 248 | 780 | - | - |
| 0 | 199 | 1775 | - | - |
| 1 | 176 | 1740 | 1520 | 37 |
| 2 | 155 | 1740 | 1537 | 29 |
| 3 | 136 | 1740 | 1547 | 22 |
| 4 | 117 | 1740 | 1562 | 17 |
| 5 | 98 | 1740 | 1567 | 12 |
| Total (+5/-10) | | | 7733 | 117 |
| Final stroke reduced by | 0 | Priming Volume | | 23.8 |
| Cylinder Mass (Kg) | 299 | Total Volume (Litres) | | 140.8 |
| Maximum Pressure (Bar) | 190 | Max. first stage thrust | | 200 KN |

***TIPPING CAPACITY AT WORKING PRESSURE

| d | BODY LENGTH (BL) | | | | | OH |
|----|------------------|------|-------|----|-----|-----|
| | 9000 | 9500 | 10000 | | | |
| 32 | 51° | 31 | 48° | 29 | 46° | 150 |
| 35 | 53° | 33 | 50° | 31 | 47° | 450 |
| 39 | 55° | 36 | 52° | 34 | 49° | 750 |

$d = 229$; $r = 900$; Working Pressure 135 bar

For guidance only;
Higher working pressures and tipping capacities may be possible.
To check your application email - applications@edbro.co.uk

- NOTES**
- This cylinder is for lifting purposes only and side load conditions should be avoided
 - Cylinder is painted in primer paint to RAL5013
 - Refer to www.edbro.com for;-
 - Bracket details
 - Installation instructions that must be observed
 - Correct oil selection
 - An explanation of tipping capacity