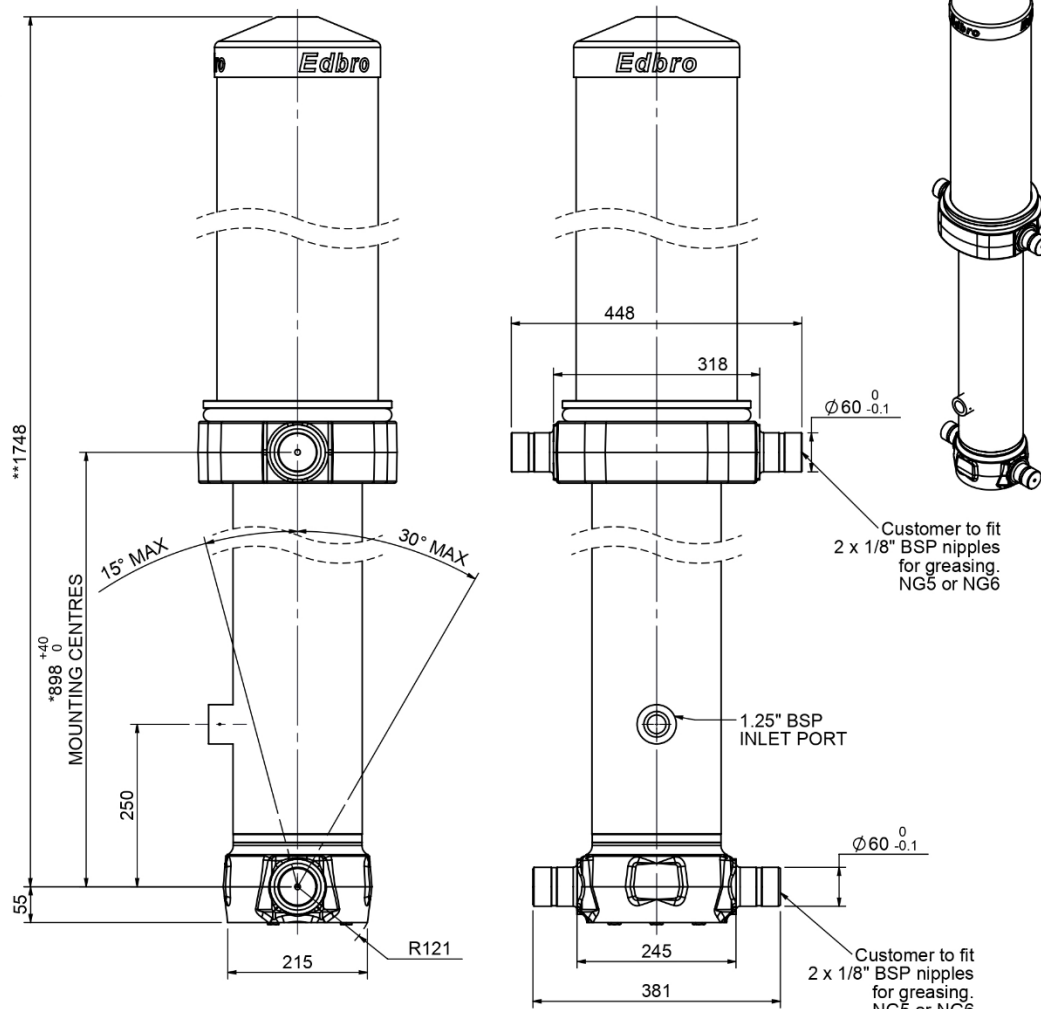


Cylinder 5 stage front end with outer cover

**ALLOW 50mm TO REMOVE CAP FOR SERVICING



*Includes 7mm Pull Out.
All Stages Chrome Plated

CS17L057233B25A14C

SPECIFICATION		TIPPING CAPACITY : 31-41 TONNES***		
Stage	Diameter	Length	Stroke	Swept Volume
OUTER COVER	248	815	-	-
0	199	1675	-	-
1	176	1640	1420	35
2	155	1640	1437	27
3	136	1640	1447	21
4	117	1640	1462	16
5	98	1640	1467	11
Total (+5/-10)			7233	110
Final stroke reduced by	0	Priming Volume	22.3	
Cylinder Mass (Kg)	287	Total Volume (Litres)	132.3	
Maximum Pressure (Bar)	190	Max. first stage thrust	200 KN	

***TIPPING CAPACITY AT WORKING PRESSURE						
d	BODY LENGTH (BL)					
	9000		9500		10000	
34	47°	33	45°	31	42°	150
37	49°	35	46°	33	44°	450
41	51°	38	48°	36	45°	750

d = 229; r = 900; Working Pressure 150 bar
 Tipping angle (θ)
 Body + payload mass, W (tonne)

For guidance only;
 Higher working pressures and tipping capacities may be possible.
 To check your application email - applications@edbro.co.uk

- NOTES**
- This cylinder is for lifting purposes only and side load conditions should be avoided
 - Cylinder is painted in primer paint to RAL5013
 - Refer to www.edbro.com for;
 - Bracket details
 - Installation instructions that must be observed
 - Correct oil selection
 - An explanation of tipping capacity