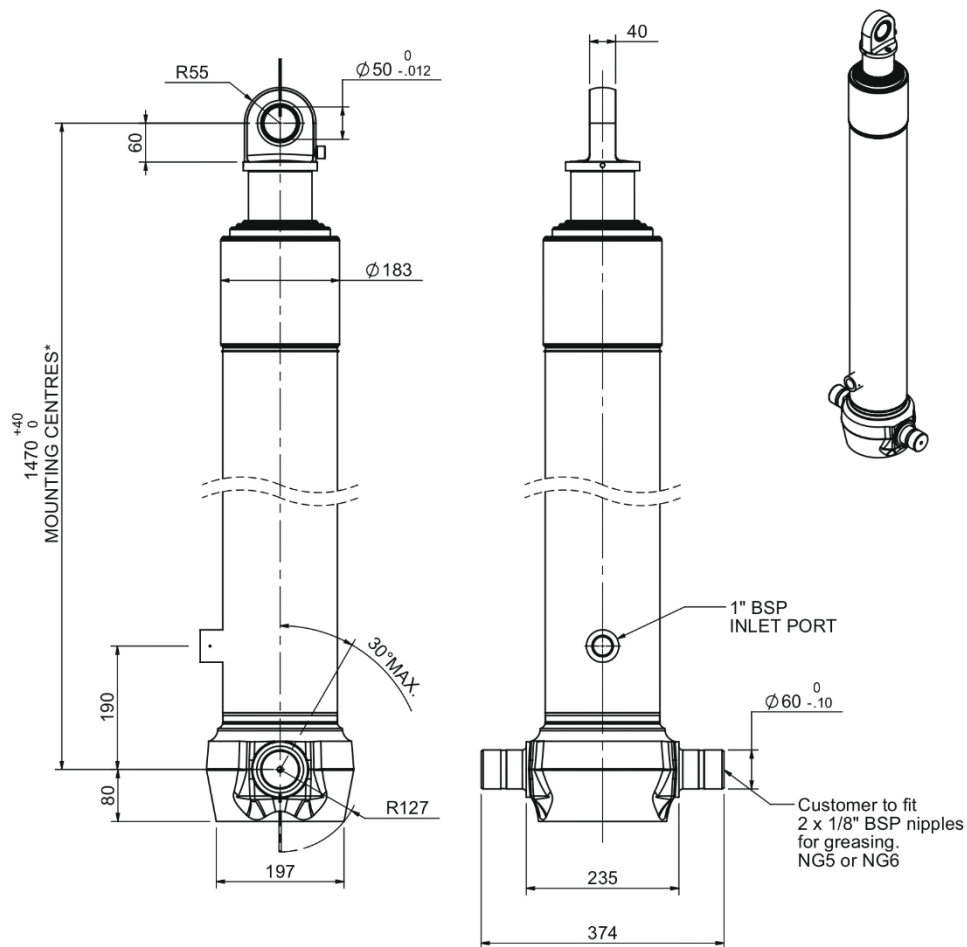


Cylinder 4 stage front end with spherical eye

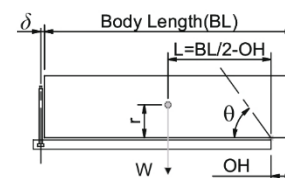
CS150S44606B19A04



SPECIFICATION		RATED CAPACITY : 33-53 TONNES***		
Stage	Diameter	Length	Stroke	Swept Volume
-	-	-	-	-
-	-	-	-	-
0	177	1375	-	-
1	155	1340	1127	21
2	136	1340	1147	17
3	117	1340	1162	12
4	98	1415	1167	9
Final stroke reduced by	0	Total (+5/-10)	4603	59
Cylinder Mass (Kg)	164.17	Priming Volume		15
Rated Pressure (Bar)	165	Total Volume (Litres)		74
Maximum Pressure (Bar)	175	Max. first stage thrust		230 KN

*****TIPPING CAPACITY AT RATED PRESSURE**

d = 0 ; r = 750



		BODY LENGTH (BL)				OH
		5800	6300	6800		
38	49°	35	45°	33	41°	150
44	52°	39	47°	36	43°	450
53	56°	45	50°	41	46°	750

Tipping angle (θ)
Body + payload mass, W (tonne)

For guidance only;

Higher Rated Pressures may be possible. To check your application, email Edbro plc at <applications@edbro.co.uk>

NOTES

- If hydraulic pressure is used to limit overloading, the system relief valve must be set to the Rated Pressure unless agreed otherwise by Edbro
- The system relief valve can be set to Maximum Pressure if the load is limited by other means. See RATINGS page for advice
- This cylinder is for lifting purposes only and sideload conditions must be avoided
- Cylinder is painted in primer paint to RAL5013
- See bracket options page BRKT01, BRKT02
- See installation instructions INSTALL01
- Use oil according to specification OIL01

***Include 9mm Pull Out Last Stage Chrome Plated**