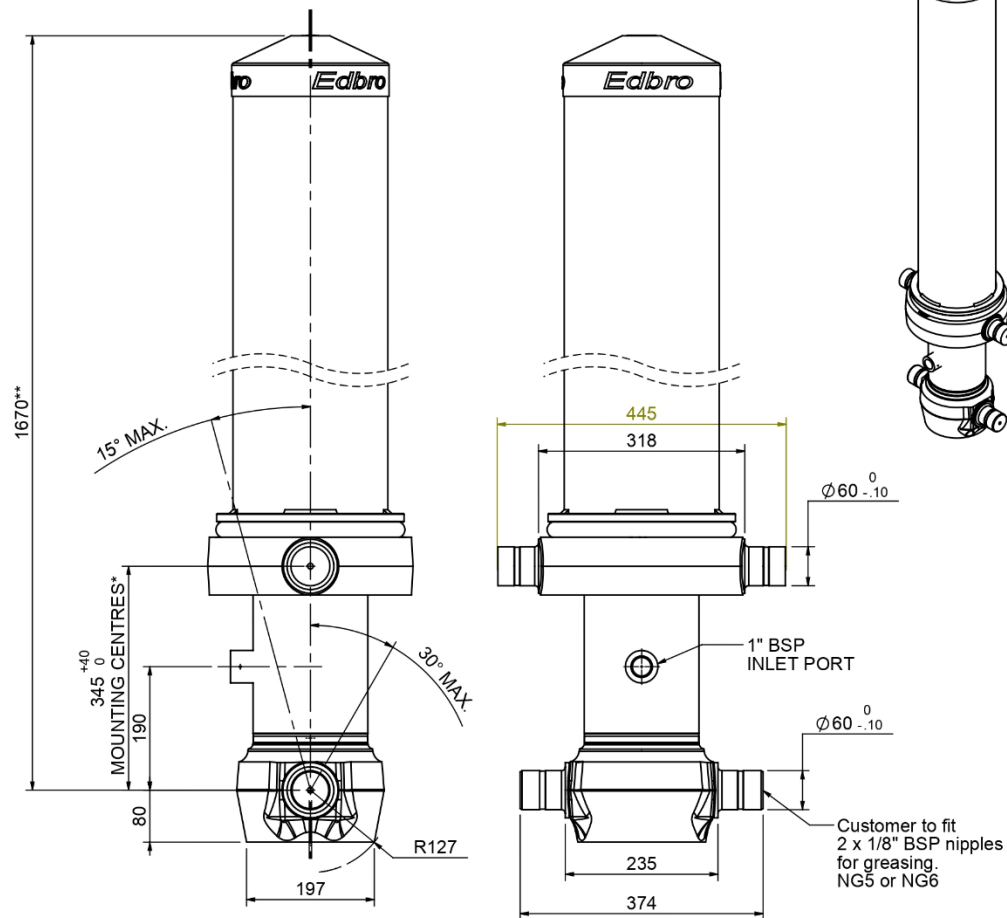


### Cylinder 4 stage front end with Outer Cover

**\*\*ALLOW 50mm TO REMOVE CAP FOR SERVICING**



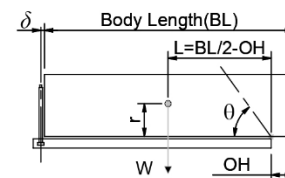
**\*Include 11mm Pull Out**

### CS150045606B19A11

SPECIFICATION		RATED CAPACITY : 34-49 TONNES***		
Stage	Diameter	Length	Stroke	Swept Volume
-	-	-	-	-
OUTER COVER	239	1290	-	-
0	177	1625	-	-
1	155	1590	1375	26
2	136	1590	1397	20
3	117	1590	1412	15
4	98	1590	1417	11
Final stroke reduced by	0	Total (+5/-10)	5601	72
Cylinder Mass (Kg)	252.08	Priming Volume	16.9	
Rated Pressure (Bar)	165	Total Volume (Litres)	88.9	
Maximum Pressure (Bar)	175	Max. first stage thrust	230 KN	

**\*\*\*TIPPING CAPACITY AT RATED PRESSURE**

d = 229 ; r = 750



		BODY LENGTH (BL)			OH	
		6750	7250	7750		
38	49°	36	45°	34	42°	150
43	51°	40	47°	37	44°	450
49	54°	44	49°	41	46°	750

Tipping angle (θ)  
Body + payload mass, W (tonne)

**For guidance only;**

Higher Rated Pressures may be possible. To check your application, email Edbro plc at <applications@edbro.co.uk>

**NOTES**

- If hydraulic pressure is used to limit overloading, the system relief valve must be set to the Rated Pressure unless agreed otherwise by Edbro
- The system relief valve can be set to Maximum Pressure if the load is limited by other means. See RATINGS page for advice
- This cylinder is for lifting purposes only and sideload conditions must be avoided
- Cylinder is painted in primer paint to RAL5013
- See bracket options page BRKT01, BRKT02
- See installation instructions INSTALL01
- Use oil according to specification OIL01