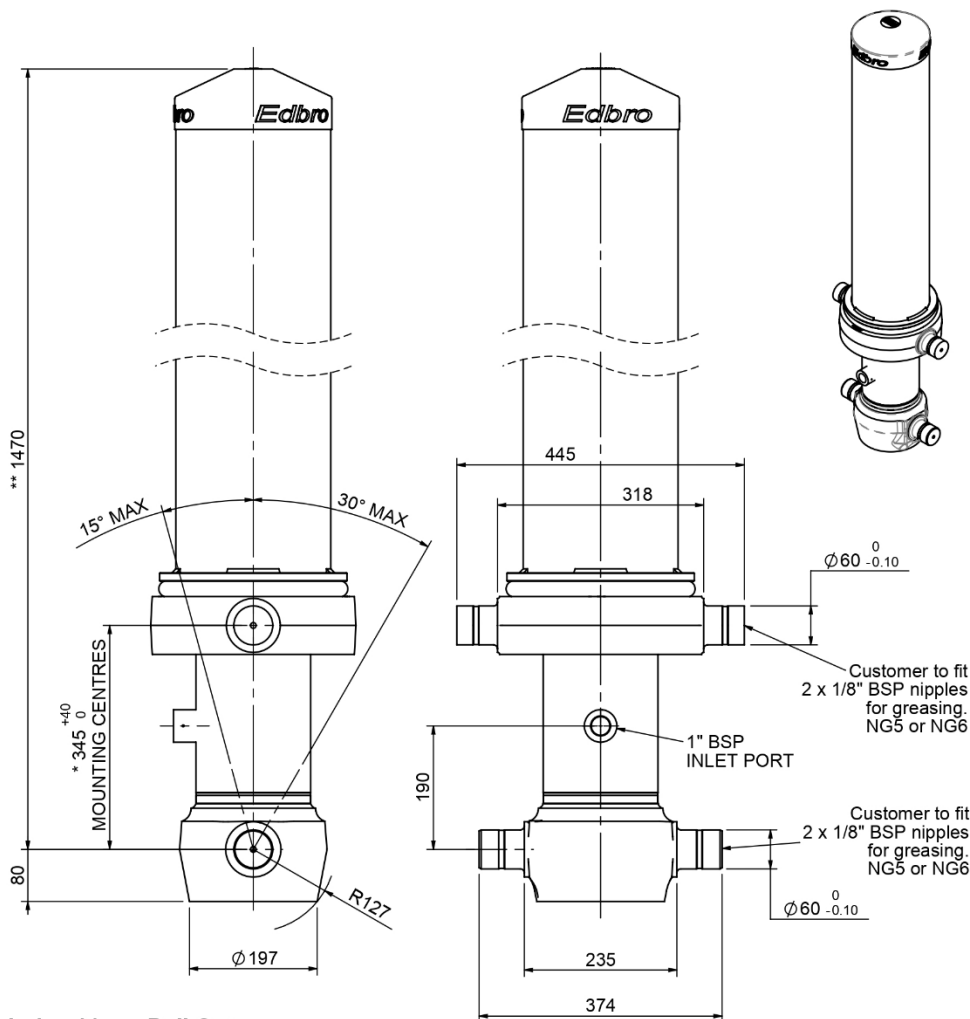


Cylinder 4 stage front end with outer cover

****ALLOW 50mm TO REMOVE CAP FOR SERVICING**

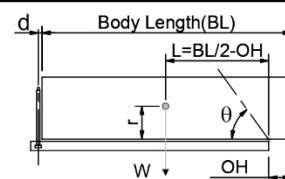


***Includes 11mm Pull Out.**

CS150044806B19A11

| SPECIFICATION | | TIPPING CAPACITY : 37-55 TONNES*** | | |
|-------------------------|----------|------------------------------------|--------|--------------|
| Stage | Diameter | Length | Stroke | Swept Volume |
| - | - | - | - | - |
| OUTER COVER | 239 | 1090 | - | - |
| 0 | 177 | 1425 | - | - |
| 1 | 155 | 1390 | 1175 | 22 |
| 2 | 136 | 1390 | 1197 | 17 |
| 3 | 117 | 1390 | 1212 | 13 |
| 4 | 98 | 1390 | 1217 | 9 |
| Total (+5/-10) | | | 6068 | 61 |
| Final stroke reduced by | 0 | Priming Volume | 16 | |
| Cylinder Mass (Kg) | 223 | Total Volume (Litres) | 77 | |
| Maximum Pressure (Bar) | 190 | Max. first stage thrust | 225 KN | |

*****TIPPING CAPACITY AT WORKING PRESSURE**



| BODY LENGTH (BL) | | | | OH | | |
|------------------|------|------|-----|----|-----|-----|
| 5850 | 6100 | 6350 | | | | |
| 40 | 48° | 38 | 46° | 37 | 44° | 150 |
| 46 | 51° | 44 | 49° | 41 | 46° | 450 |
| 55 | 54° | 51 | 51° | 48 | 49° | 750 |

d = 229; r = 750; Working Pressure 165 bar

Tipping angle (θ)
Body + payload mass, W (tonne)

For guidance only;

Higher working pressures and tipping capacities may be possible.
To check your application email - applications@edbro.co.uk

NOTES

1. This cylinder is for lifting purposes only and side load conditions should be avoided
2. Cylinder is painted in primer paint to RAL5013
3. Refer to www.edbro.com for;-
 - Bracket details
 - Installation instructions that must be observed
 - Correct oil selection
 - An explanation of tipping capacity