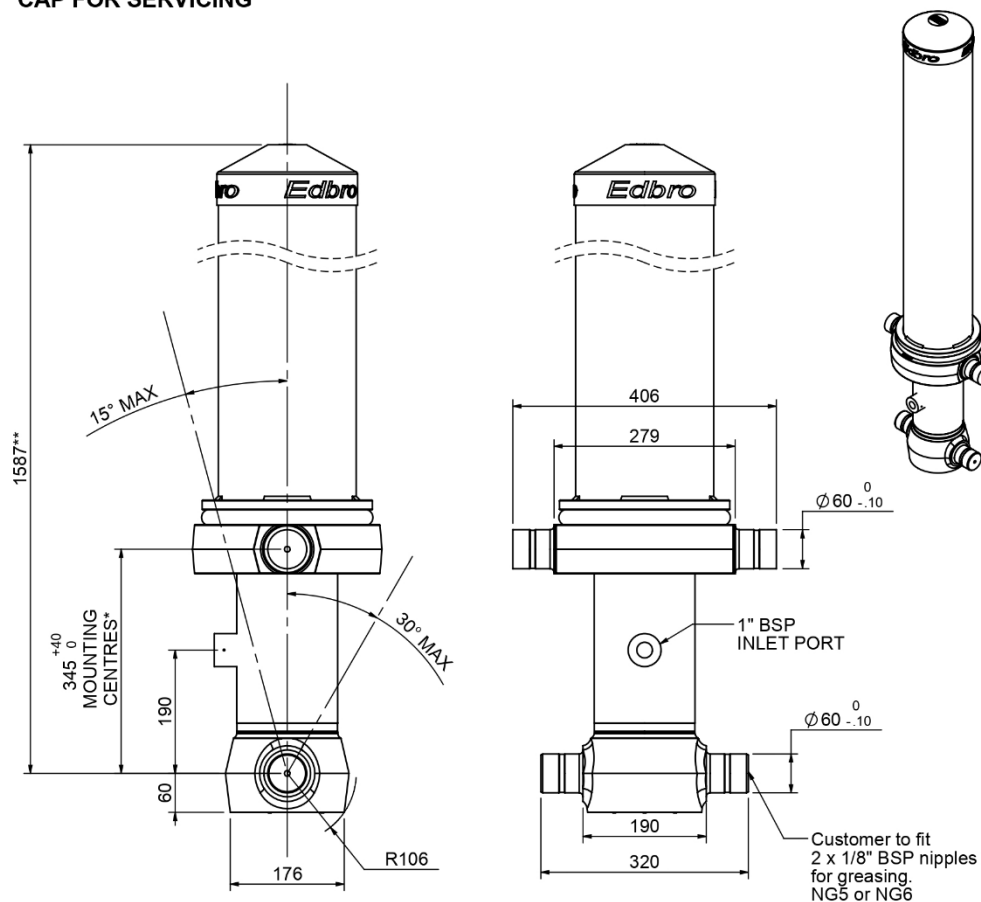


Cylinder 4 stage front end with Outer Cover

****ALLOW 50mm TO REMOVE CAP FOR SERVICING**



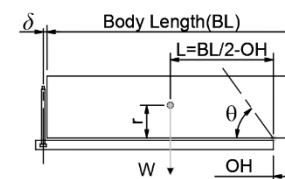
***Include 9mm Pull Out**

CS130045241B19A11

SPECIFICATION		RATED CAPACITY : 24-37 TONNES***		
Stage	Diameter	Length	Stroke	Swept Volume
-	-	-	-	-
OUTER COVER	213	1190	-	-
0	155	1525	-	-
1	136	1490	1288	19
2	117	1490	1312	14
3	98	1490	1317	10
4	79	1490	1322	6
Final stroke reduced by	0	Total (+5/-10)	5239	49
Cylinder Mass (Kg)	175.8	Priming Volume	13.1	
Rated Pressure (Bar)	175	Total Volume (Litres)	62.1	
Maximum Pressure (Bar)	175	Max. first stage thrust	170 KN	

*****TIPPING CAPACITY AT RATED PRESSURE**

d = 178 ; r = 750



		BODY LENGTH (BL)				OH
		6250	6750	7250		
27	50°	26	46°	24	42°	150
31	52°	28	48°	26	44°	450
37	55°	32	50°	29	46°	750

Tipping angle (θ)
Body + payload mass, W (tonne)

For guidance only;

Higher Rated Pressures may be possible. To check your application, email Edbro plc at <applications@edbro.co.uk>

NOTES

- If hydraulic pressure is used to limit overloading, the system relief valve must be set to the Rated Pressure unless agreed otherwise by Edbro
- The system relief valve can be set to Maximum Pressure if the load is limited by other means. See RATINGS page for advice
- This cylinder is for lifting purposes only and sideload conditions must be avoided
- Cylinder is painted in primer paint to RAL5013
- See bracket options page BRKT01, BRKT02
- See installation instructions INSTALL01
- Use oil according to specification OIL01