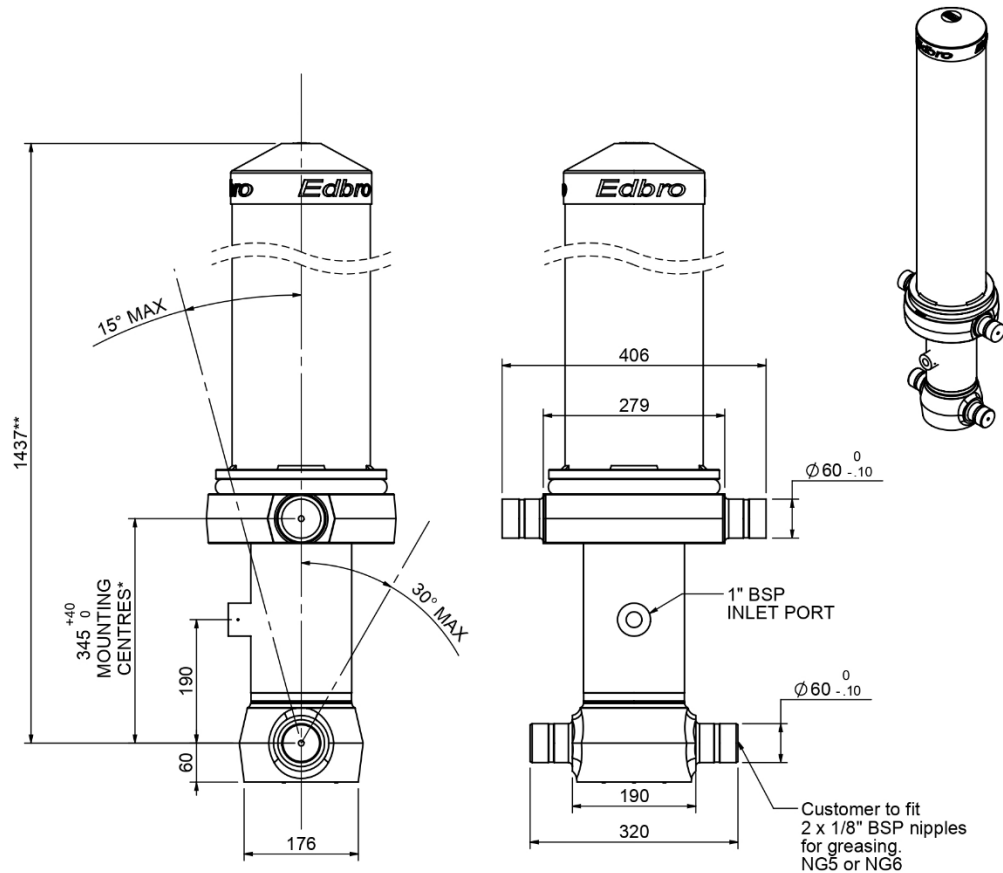


**Cylinder 4 stage front end with Outer Cover**

**\*\*ALLOW 50mm TO REMOVE CAP FOR SERVICING**



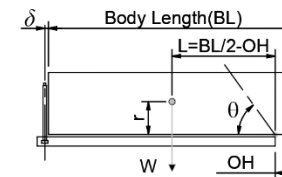
**\*Include 9mm Pull Out All Stages Fully Chromed**

**CS130044641B19A11C**

SPECIFICATION		RATED CAPACITY : 25-38 TONNES***		
Stage	Diameter	Length	Stroke	Swept Volume
-	-	-	-	-
OUTER COVER	213	1040	-	-
0	155	1375	-	-
1	136	1340	1138	17
2	117	1340	1162	12
3	98	1340	1167	9
4	79	1340	1172	6
Final stroke reduced by	0	Total (+5/-10)	4639	44
Cylinder Mass (Kg)	167.87	Priming Volume		11.6
Rated Pressure (Bar)	175	Total Volume (Litres)		55.6
Maximum Pressure (Bar)	175	Max. first stage thrust		170 KN

**\*\*\*TIPPING CAPACITY AT RATED PRESSURE**

d = 178 ; r = 750



		BODY LENGTH (BL)			OH	
		5750	6000	6250		
27	48°	26	46°	25	44°	150
32	50°	30	48°	28	46°	450
38	54°	35	51°	33	49°	750

Labels: Tipping angle ( $\theta$ ), Body + payload mass, W (tonne)

**For guidance only;**

Higher Rated Pressures may be possible. To check your application, email Edbro plc at <applications@edbro.co.uk>

**NOTES**

- If hydraulic pressure is used to limit overloading, the system relief valve must be set to the Rated Pressure unless agreed otherwise by Edbro
- The system relief valve can be set to Maximum Pressure if the load is limited by other means. See RATINGS page for advice
- This cylinder is for lifting purposes only and sideload conditions must be avoided
- Cylinder is painted in primer paint to RAL5013
- See bracket options page BRKT01, BRKT02
- See installation instructions INSTALL01
- Use oil according to specification OIL01