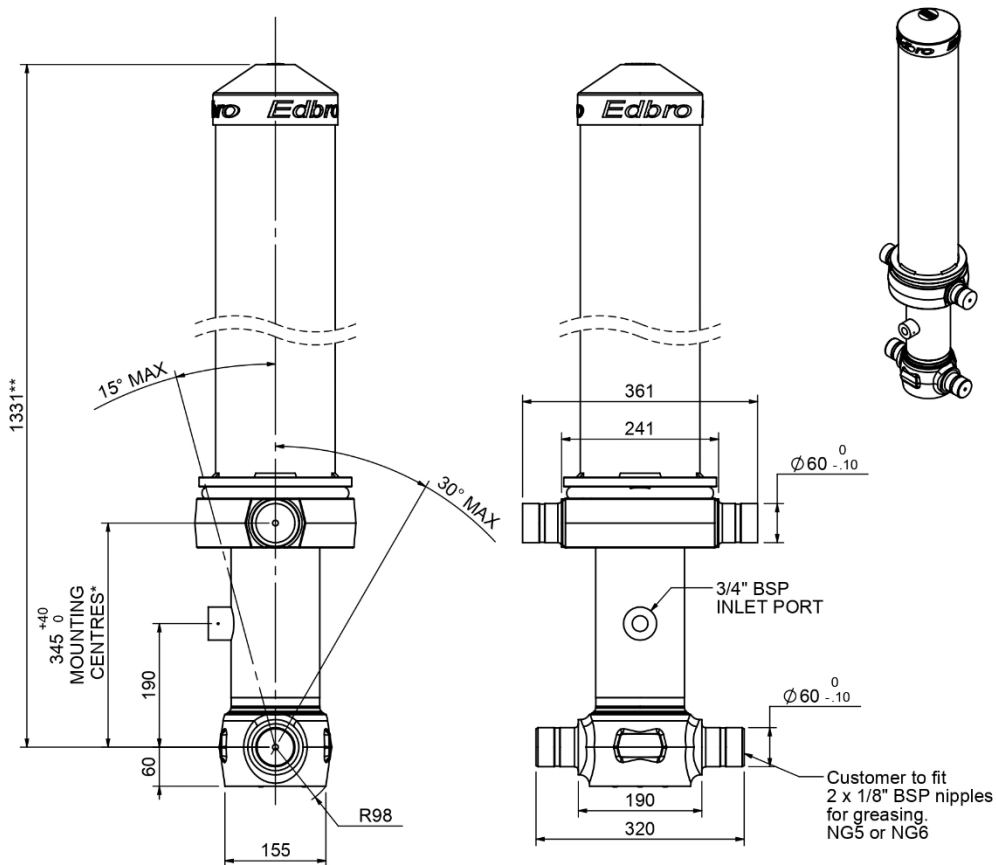


### Cylinder 3 stage front end with Outer Cover

**\*\*ALLOW 50mm TO REMOVE CAP FOR SERVICING**



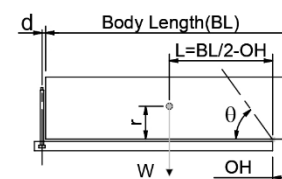
**\*Include 14mm Pull Out  
All Stages Chrome Plated**

### CS110033194B19A11C

SPECIFICATION		RATED CAPACITY : 20-35 TONNES***		
Stage	Diameter	Length	Stroke	Swept Volume
-	-	-	-	-
-	-	-	-	-
OUTER COVER	184	935	-	-
0	136	1275	-	-
1	117	1240	1049	11
2	98	1240	1067	8
3	79	1240	1072	5
Final stroke reduced by	0	Total (+5/-10)	3188	24
Cylinder Mass (Kg)	109.49	Priming Volume	8.8	
Rated Pressure (Bar)	135	Total Volume (Litres)	32.8	
Maximum Pressure (Bar)	175	Max. first stage thrust	130 KN	

#### \*\*\*TIPPING CAPACITY AT RATED PRESSURE

d = 178 ; r = 750



		BODY LENGTH (BL)				OH
		4125	4250	4375		
22	46°	21	44°	20	43°	150
27	50°	26	48°	25	46°	450
		35	52°	32	50°	750

Tipping angle ( $\theta$ )  
Body + payload mass, W (tonne)

#### For guidance only;

Higher Rated Pressures may be possible. To check your application, email Edbro plc at <applications@edbro.co.uk>

#### NOTES

- If hydraulic pressure is used to limit overloading, the system relief valve must be set to the Rated Pressure unless agreed otherwise by Edbro
- The system relief valve can be set to Maximum Pressure if the load is limited by other means. See RATINGS page for advice
- This cylinder is for lifting purposes only and sideload conditions must be avoided
- Cylinder is painted in primer paint to RAL5013
- See bracket options page BRKT01, BRKT02
- See installation instructions INSTALL01
- Use oil according to specification OIL01