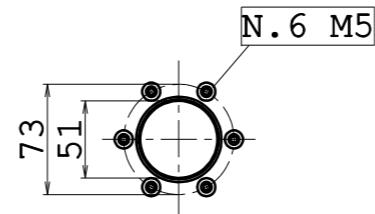
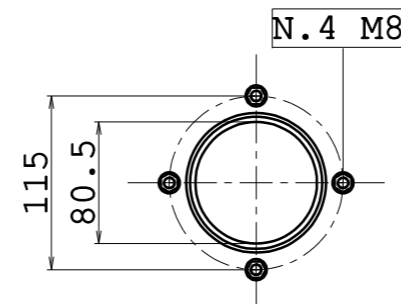


1 OIL CAP FLANGE

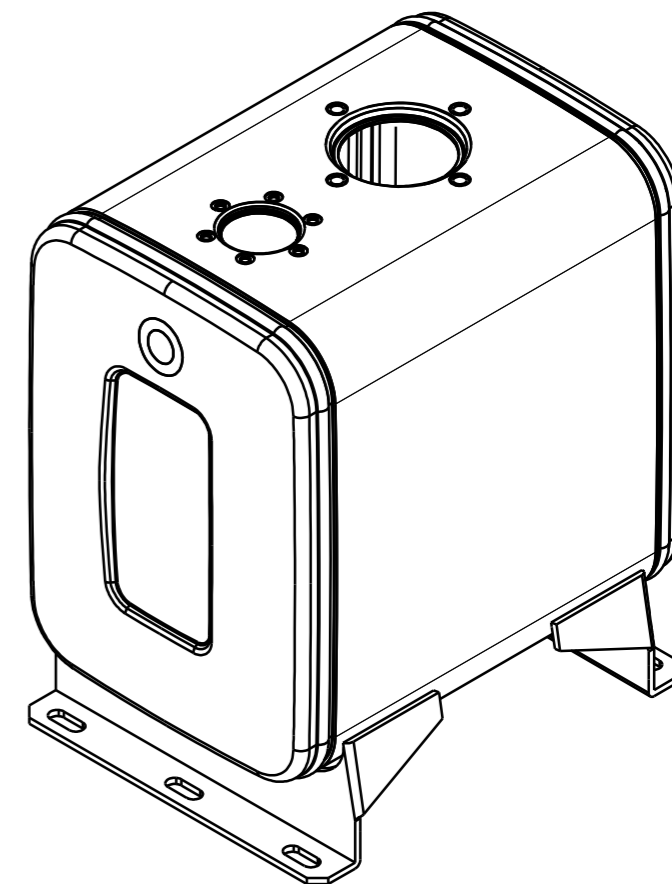


SCALE 1:2,5

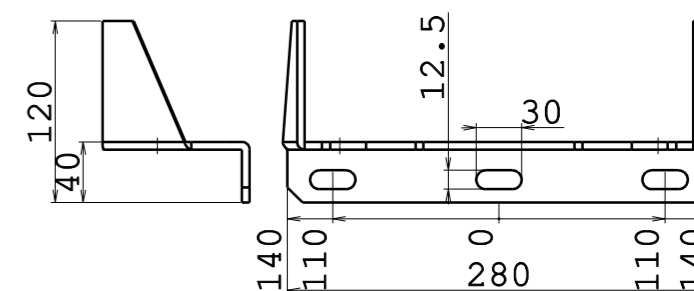
2 RETURN FILTER FLANGE



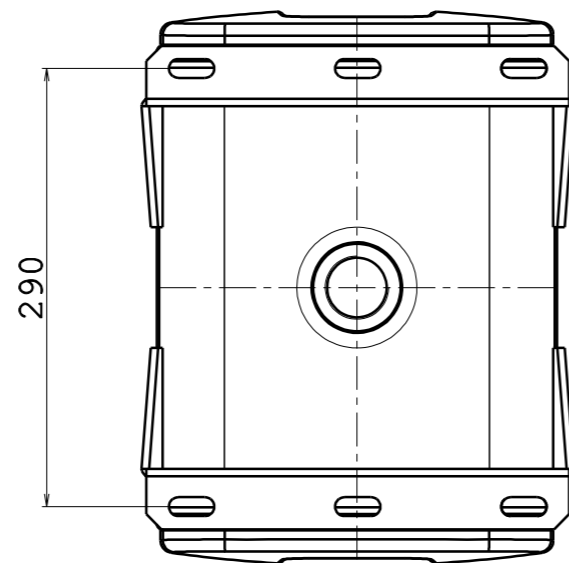
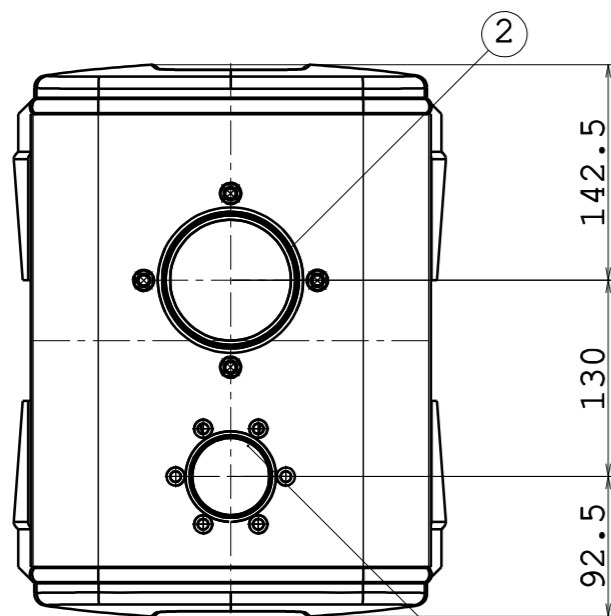
SCALE 1:2,5



5 SUPPORT CONNECTION DETAIL



SCALE 1:2,5



Tank composition

Pos.	Denominazione	Q.tà
1	OIL CAP FLANGE	1
2	RETURN FILTER FLANGE	1
3	OIL SUCTION CONNECTION 1"1/4	1
4	SPY-EYE 3/4"	1
5	SUPPORT	2

Tank dimension

Level indicator capacity	27 Lt
Full capacity	30 Lt
Support weight	
Tank weight (F,I,T) kg (A) kg	
Dimensions	365x360x260 mm

Rev.	Modify description	Date	Des.	Ver.	App.
1	FLANGE DISTANCE NOW 130 mm WAS 150 mm	18/10/2018	MM	FG	EB
0	EMISSIONE	27/08/2018	MM	FG	EB

Part name :	Oil tank 30 LT Steel fam. 360x260		
Part code :	NSOF0030036V000	Replace the	Material code
Scale	1:5	Replaced by	(X)=F:Steel DC03A EN 10130
			General tolerances: ISO 2768 V
<small>OWNERSHIP OF THIS DRAWING IS RESERVED BY LAW AND MAY NOT BE REPRODUCED IN WHOLE OR IN PART WITHOUT PERMISSION OF PADOAN S.R.L.</small>			Drawing format A3 <small>DO NOT MAKE MEASUREMENTS ON DRAWING DO NOT CHANGE WITHOUT TECHNICAL OFFICE AUTHORIZATION</small>