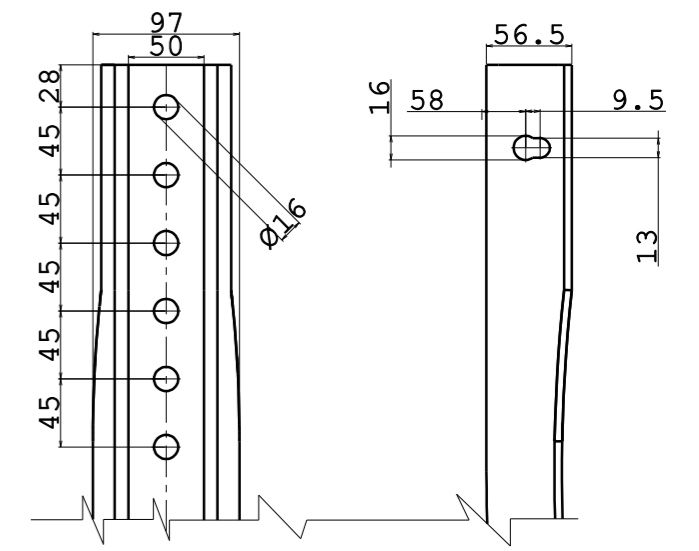


5 SUPPORT CONNECTION DETAIL



Tank composition

Pos.	Denomination	Q.ty
1	FILLING CAP	1
2	LEVEL INDICATOR VDO TYPE CONNECTION	1
3	DIESEL DRAINAGE BOWL	1
4	PARTITION	2
5	M5 GROUND CONNECTION	1
6	SUPPORT 64/50	2
7	STRAP	2

MARK DETAIL



Tank dimension	0	EMISSION	04/04/2014	MM	MM	BM
	Rev.	Modify description	Date	Dis.	Ver.	App.
Full capacity 240 Lt	Part name:	Diesel oil tank 240 LT Al/Steel/Stainl.steel fam. 640x500				General tolerances: ISO 2768 V
Support weight 20 Kg	Part code :	Replace the	Material code			
Tank weight (F,I,T) kg (A) kg	Scale	1:10	Replaced by	(X)=F:Steel DC 01 EK EN 10209	Drawing format A3	
Dimensions 850x640x500 mm				(X)=I:Stainless steel AISI 304		
						DO NOT MAKE MEASUREMENTS ON DRAWING DO NOT CHANGE WITHOUT TECHNICAL OFFICE AUTHORIZATION
			<small>OWNERSHIP OF THIS DRAWING IS RESERVED BY LAW AND MAY NOT BE REPRODUCED IN WHOLE OR IN PART WITHOUT PERMISSION OF PADOAN S.R.L.</small>			