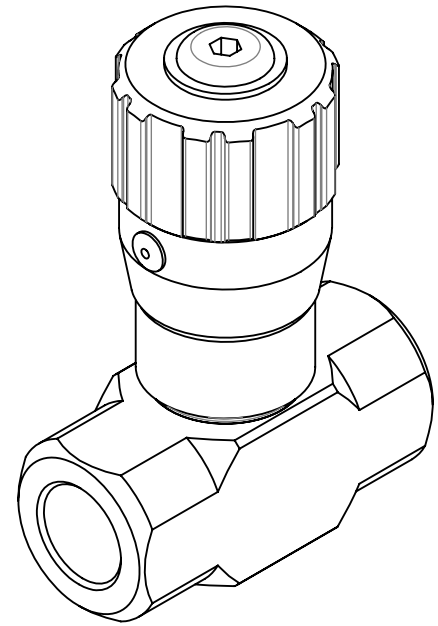
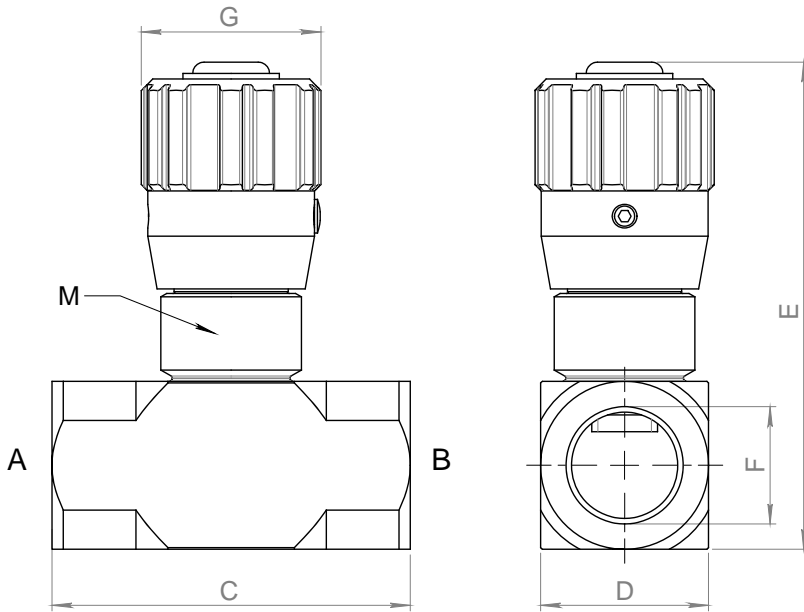
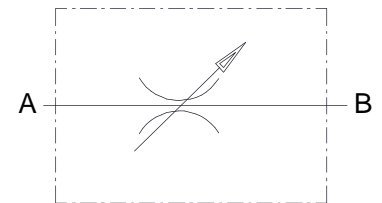


### Dimensions

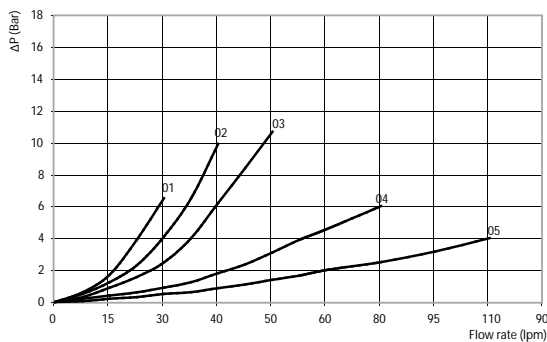


| Size | F<br>BSP | C  | D  | E    | G  | M     | Weight<br>kgs |
|------|----------|----|----|------|----|-------|---------------|
| 01   | 1/4      | 58 | 25 | 82   | 32 | M25x1 | 0,37          |
| 02   | 3/8      | 58 | 25 | 82   | 32 | M25x1 | 0,35          |
| 03   | 1/2      | 64 | 30 | 86,5 | 32 | M25x1 | 0,45          |
| 04   | 3/4      | 89 | 40 | 113  | 44 | M35x1 | 1,16          |
| 05   | 1        | 89 | 40 | 111  | 44 | M35x1 | 1,03          |

### Hydraulic Symbol



### Curves



### Features

| Size | Max Pressure<br>bar | Max Flow rate<br>lpm |
|------|---------------------|----------------------|
| 01   | 350                 | 30                   |
| 02   | 350                 | 40                   |
| 03   | 350                 | 50                   |
| 04   | 320                 | 80                   |
| 05   | 300                 | 110                  |

**Materials:** Zinc plated steel body, alloy handknob.

### Ordering Code

**FRB90** - -

|    | Size BSP |
|----|----------|
| 01 | 1/4      |
| 02 | 3/8      |
| 03 | 1/2      |
| 04 | 3/4      |
| 05 | 1        |

**Ordering Code Example:** FRB9003 = Needle valve 1/2 BSP.