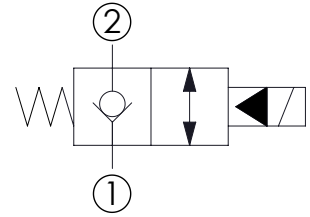
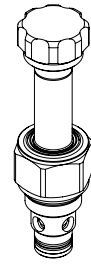
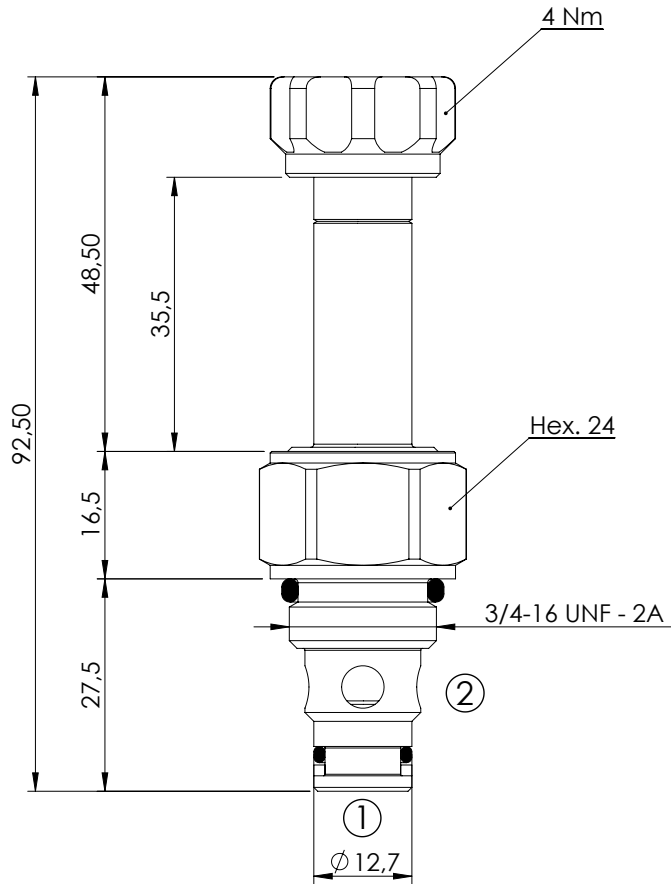


**SOLENOID OPERATED CARTRIDGE**



**CEBP-040-NCFN**

**PILOT OPERATED  
POPPET TYPE**

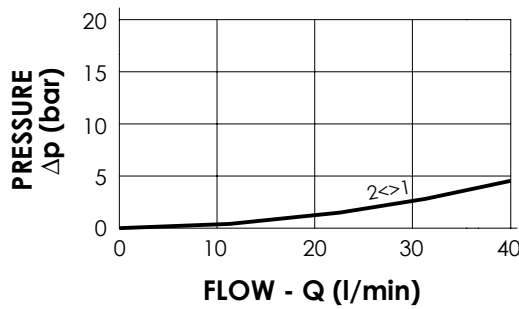


**SPECIFICATIONS**

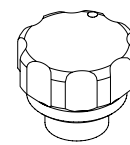
Max. operating pressure:	350 bar
Rated flow:	40 l/min
Cavity:	SAE-08-2N
Weight:	0,13 kg
Min. voltage required:	90% of nominal
Coil type:	M7 type

**NOTES**

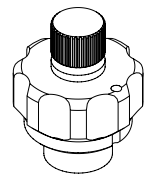
Installation torque: 45 - 50 Nm



**OPTIONS**



Standard



Knob style  
override

**ORDERING CODES**

Quick code	Description	Options	
CE000001	CEBP-040-NCFN-05-S08-N350	Standard	
CE000042	CEBP-040-NCFE-05-S08-N350	Knob style override	