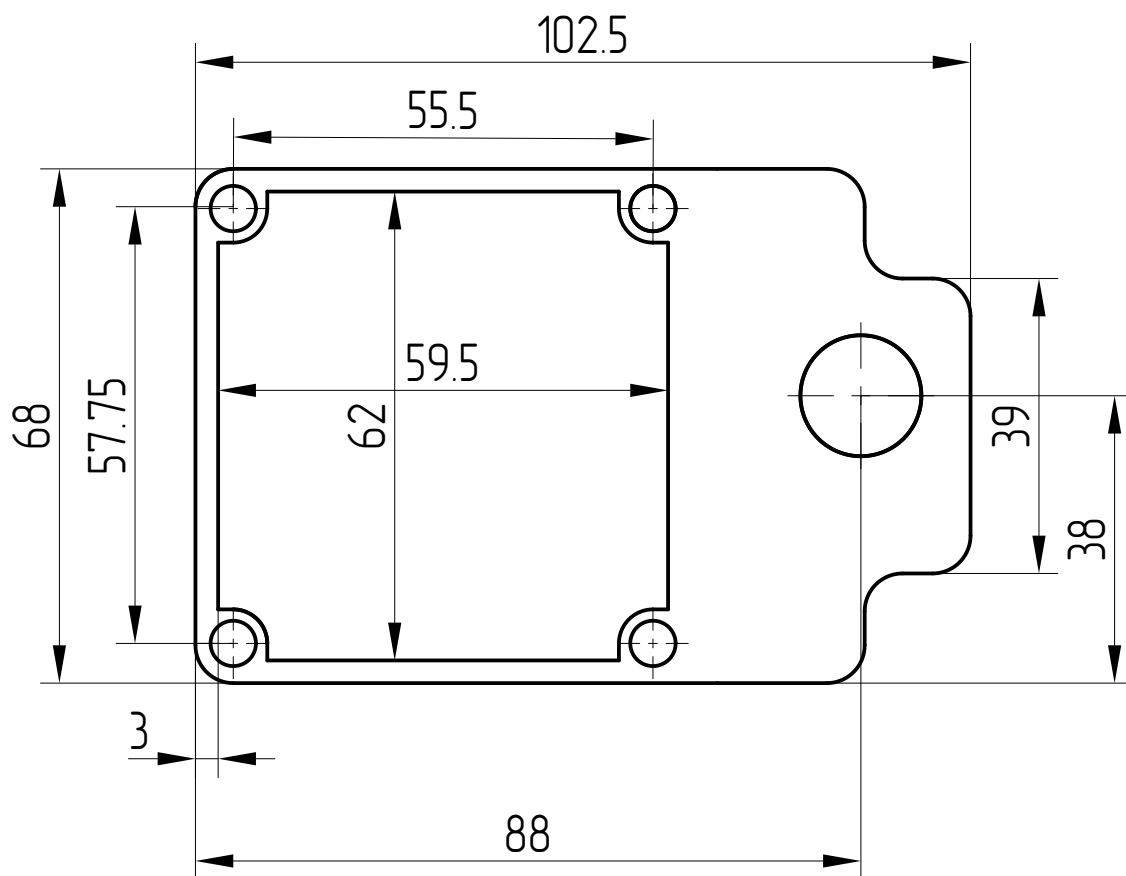


PARTS LIST

REQUIRED QUANTITY	SUPPLIER OR STOCK REFERENCE	PART OR IDENTIFYING NO.	NOMENCLATURE OR DESCRIPTION	MATERIAL SPECIFICATION	ITEM NO.
-------------------	-----------------------------	-------------------------	-----------------------------	------------------------	----------



Materiaal: 2mm Aluminium

Nabehandelen: Zwart Poedercoaten

Projection	General tolerances	Designed by:	Technical reference	Short filename	Created by	Date	Approved by	Released
	ISO 2768-1 mK	Hayo Miedema			HM	13 jul 2018		
				Document type	Document status	Checked	Format	Scale
				Weight (kg)			A4	1:1
CONFIDENTIAL: This document contains information which is subject to obligation of confidentiality and is to be returned upon request, its content may not be copied, disclosed to third parties or used for other than the express purpose for which it has been provided without written consent of .				Beugel Clippard ventiel tussen handbediening		Drawing number		
						995-01-010		
						Edition	Sheet	
						1/1		