

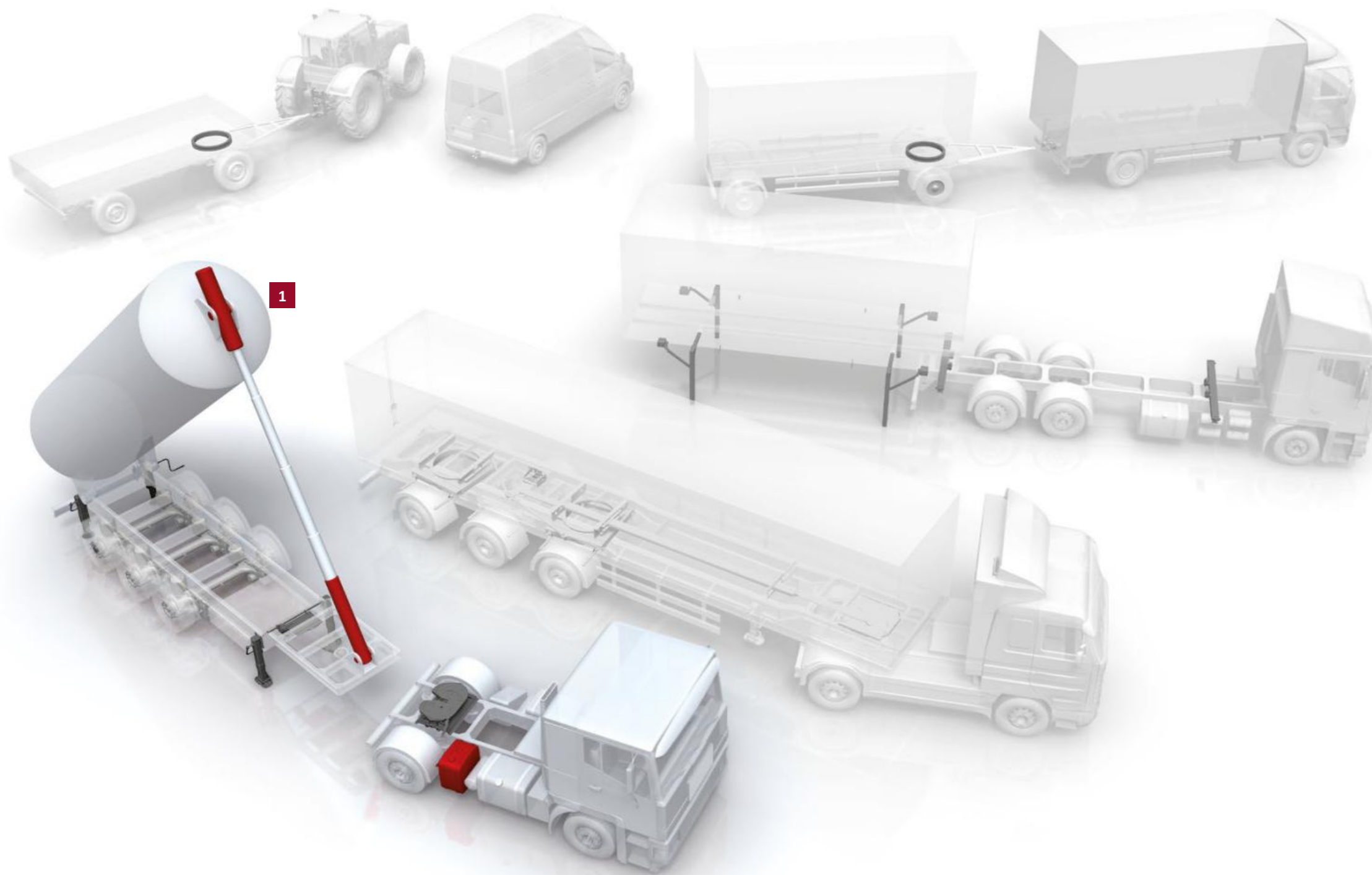
Edbro

Brackets



Brackets Standard and Options

Products for Commercial Vehicles



JOST – From small workshop to global player

JOST's history began as a typical post-war success story. In the early 1950s, Neu-Isenburg is home to two real movers and shakers – Hans Breuer and Joseph Steingass. Inspired by the semi-trailer trucks they had seen the American troops use in Frankfurt, they began developing fifth wheel couplings made of cast steel. They filed a patent for their invention in 1955, and received general type approval in 1960.

This quickly turned the former forge for ball bearing turntables into an extremely successful company that has been market leader in the field ever since. The expansion into international markets, which began as far back as the 1960s, has also played a big part in JOST's positive development. JOST is currently represented on every continent in the world, with production sites and sales offices.

The start of the new millennium signalled another milestone in the company's history. The production technology and product range were extensively modernised, while the takeover of JOST by well-financed investors made the acquisition of appropriate companies possible. Today, it is impossible to imagine the truck and trailer market without JOST World – and its five strong brands **JOST**, **ROCKINGER**, **TRIDEC**, **Edbro** and **Quicke** – as a globally active provider of components and systems. However, just as the company's main office in Neu-Isenburg still rests on the foundation walls of the former forge, JOST's success is based on characteristics that are in the company's DNA now and when it was founded: outstanding engineering services for the products the market needs, teamed with a spirit of innovation.

How to contact us:
www.jost-world.com
www.edbro.com

You will find these products in this catalogue



Brackets

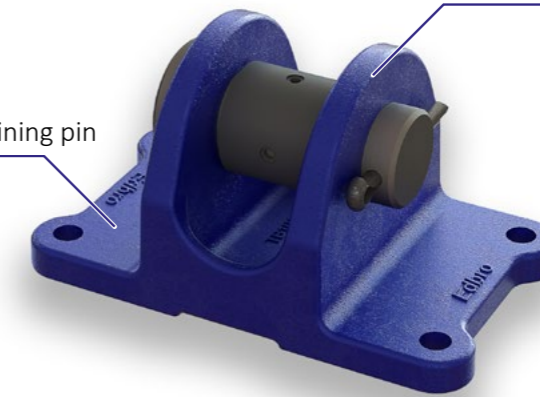
JOST ROCKINGER TRIDEC Edbro Quicke

Content

Index	
1 Bracket Features	7
2 Standard Bearing Brackets	8 - 12
2.1 RB14A & BB203	8
2.2 BB200 & BB100CT	9
2.3 BB200B & BB106	10
2.4 BB200A & BB203A	11
2.5 RB30/TG	12
3 Optional Bearing Bracket	13 - 14
3.1 BB101 & BB104	13
3.2 BB105 & BB108/B	14
4 Standard Lifting Brackets	16 - 20
4.1 LB100CT & LB104 & LB106	16
4.2 LB208 & LB110 & LB117	17
4.3 EBF165/1 & LB210	18
4.4 LB102 & LB112	19
4.5 LB116 & LB200	20
5 Top Eye Brackets	21 - 23
5.1 OMK1 & OMK2 & OMK5	21
5.2 OMK1C & OMK2C	22
5.3 OMK6 & OMK7 & OMK8	23
6 Foot Mounting Brackets	24 - 26
6.1 13110B60F & 15150B60F	24
6.2 15063B60Q & 15125B60F	25
6.3 18070B60Q & 18150B60F & 19150B70Q	26

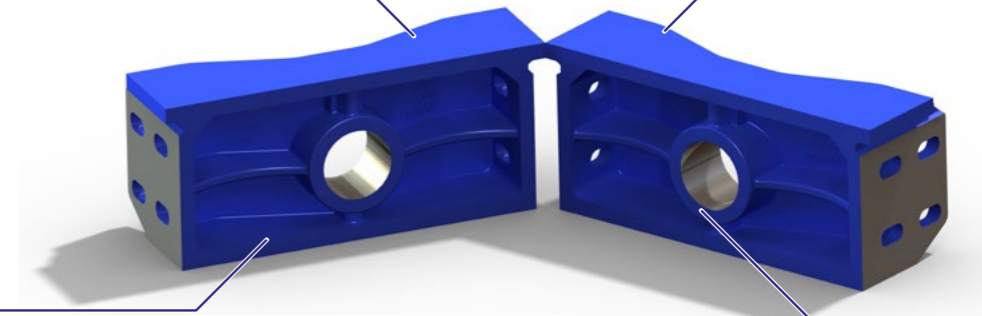


Plate Assembly : Supplied with pin, Bush, Washer & Retaining pin



Eye End Brackets : Suitable for Eye end Cylinders

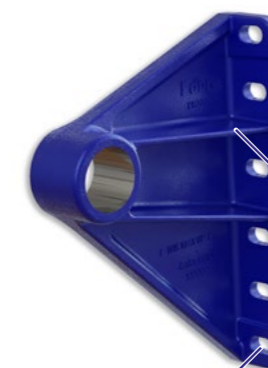
Cast /Fabricated : Options Available



Low Temperature Approved : Suitable for ultra low temperature applications to -40°C

Lightweight : Meticulously designed for weight optimisation

Low Maintenance Bush : Available with low maintenance bush options



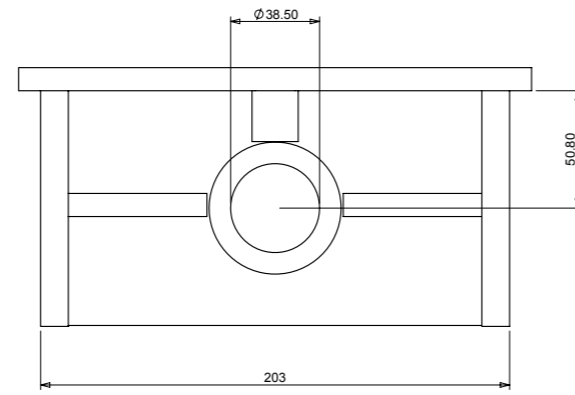
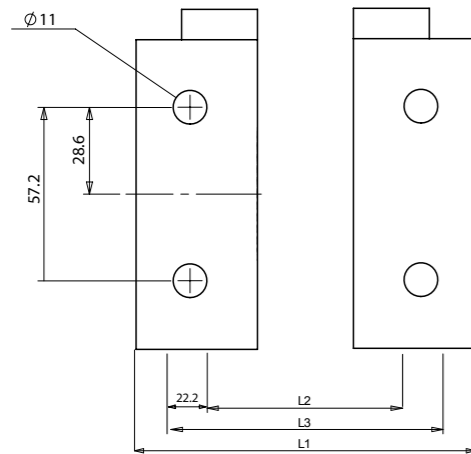
Stronger : Profiled for extra strength and better load distribution

Slotted mounting holes : Flexibility means quicker build time

All dimensions are given in mm unless otherwise stated.
Technical Specifications are subject to change without notice.

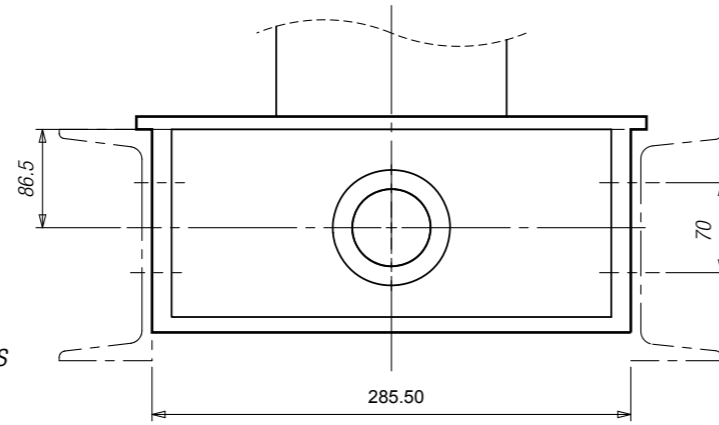
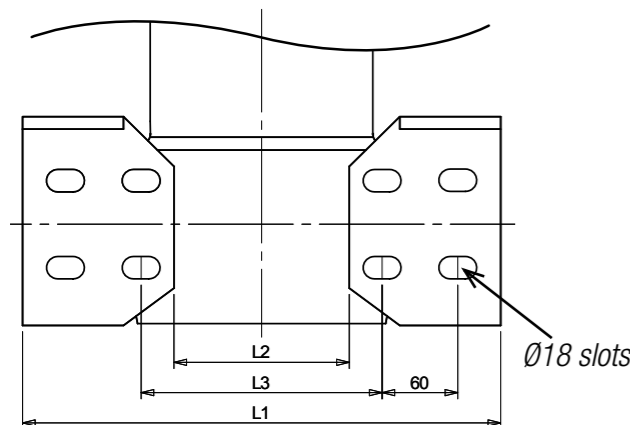
Standard Bearing Brackets

RB14A 3Kg each



CS07	
Standard	
L1	171
L2	114
L3	159

BB203 11Kg each

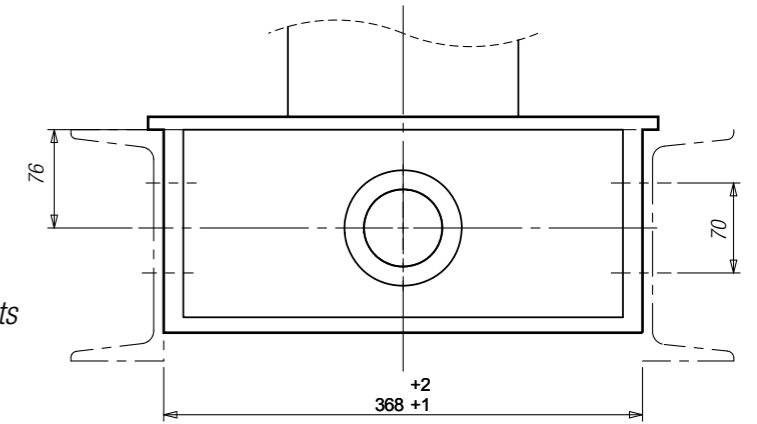
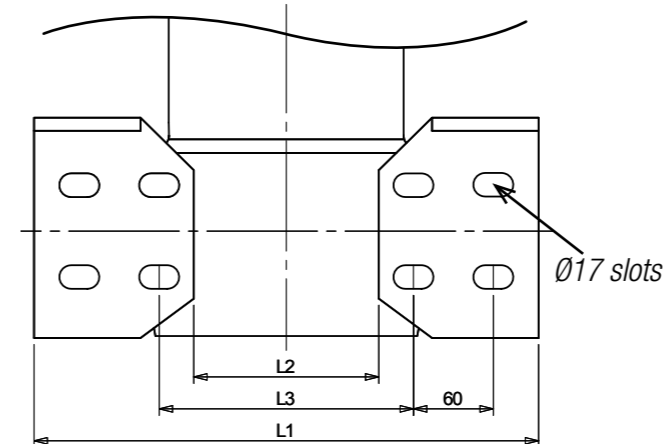


CS11/13		CS15
Standard		Standard
L1	338	383
L2	98	143
L3	min 138	183
	std 158	204
	max 162	207

All dimensions are given in mm unless otherwise stated. Technical Specifications are subject to change without notice.

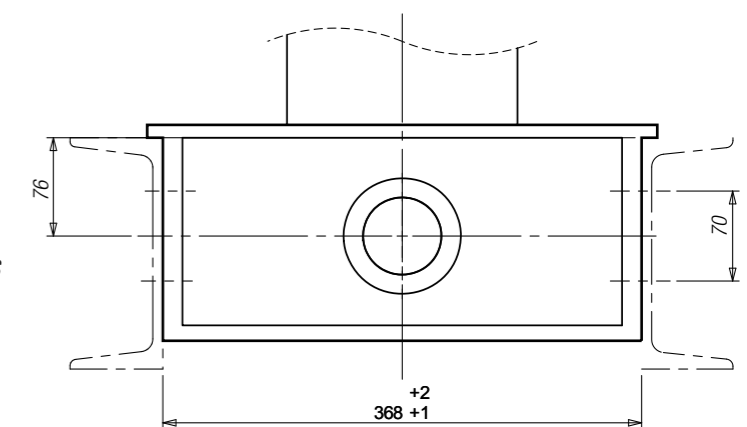
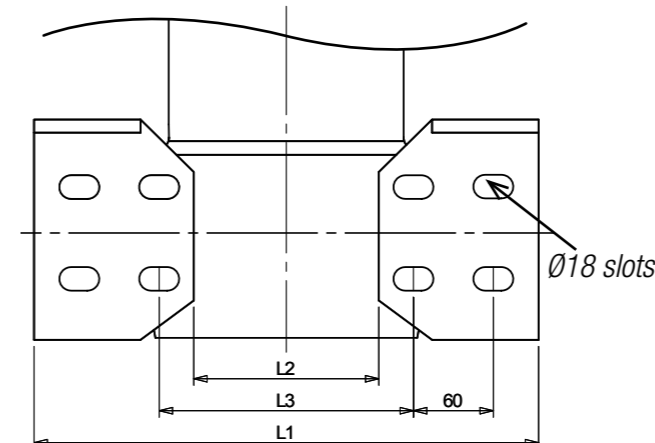
Standard Bearing Brackets

BB200 11 Kg each



CS15		CS/CD 17/18	CS17L/18L
Standard		Standard	Standard
L1	380	404	389
L2	140	164	149
L3	min 180	204	189
	std 204	204	204
	max 204	228	213

BB100CT 14 Kg each

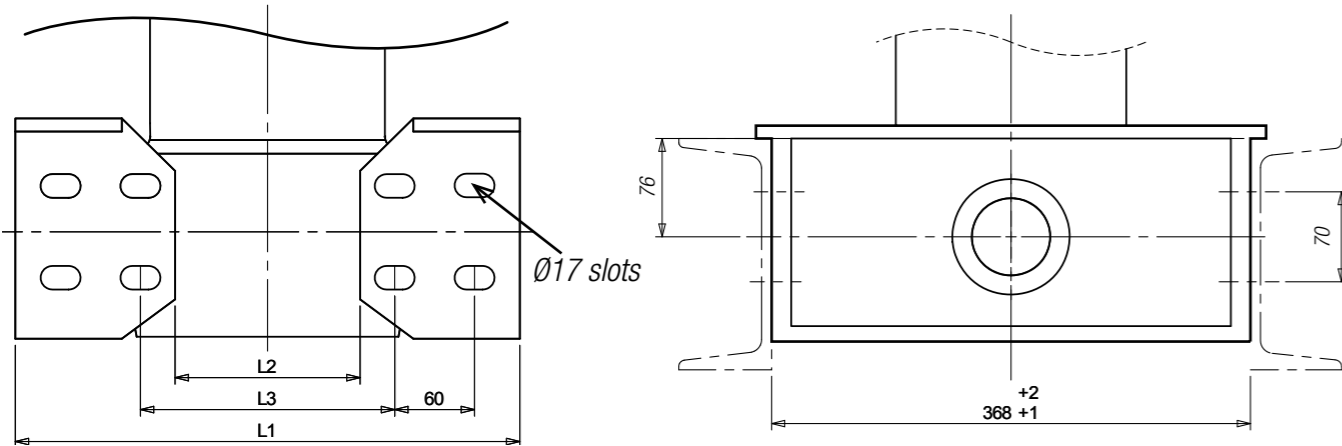


CS15		CS/CD 17/18	CS17L/18L
Standard		Standard	Standard
L1	380	404	389
L2	140	164	149
L3	min 180	204	189
	std 204	204	204
	max 204	228	213

All dimensions are given in mm unless otherwise stated. Technical Specifications are subject to change without notice.

Standard Bearing Brackets

BB200/B 11 Kg each

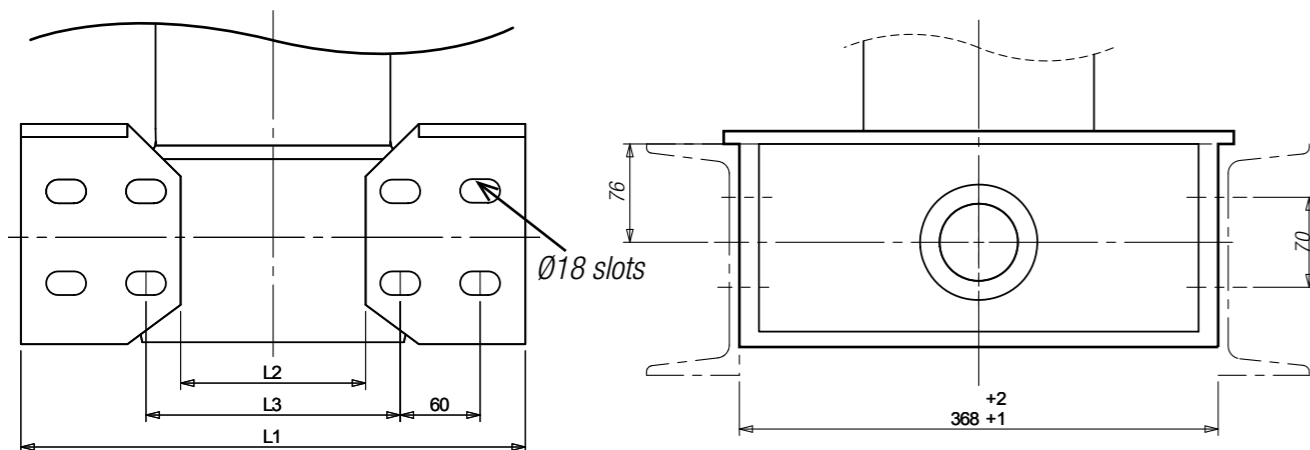


Includes GB370
Low Maintenance Bush



	CS15	CS/CD 17/18	CS17L/18L
	Standard	Standard	Standard
L1	380	404	389
L2	140	164	149
L3	min 180	204	189
	std 204	204	204
	max 204	228	213

BB106 18 Kg each

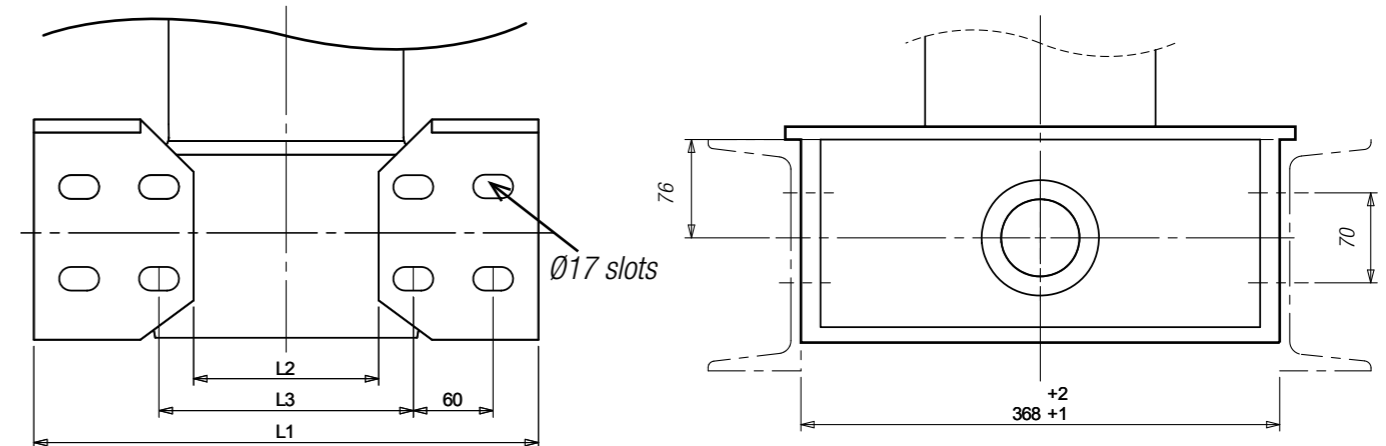


	CS/CD 19	CS/CD 22
	Standard	Standard
L1	410	438
L2	140	168
L3	min 180	207
	std 204	211
	max 213	241

All dimensions are given in mm unless otherwise stated.
Technical Specifications are subject to change without notice.

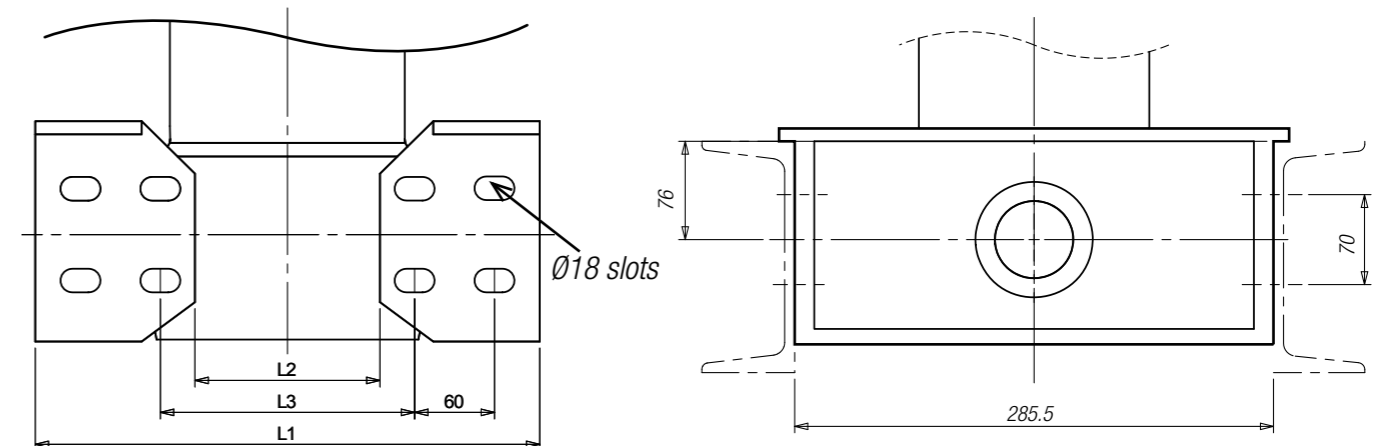
Standard Bearing Brackets

BB200A 11 Kg each



	CD15
	Standard
L1	380
L2	140
L3	min 180
	std 204
	max 204

BB203A 11 Kg each



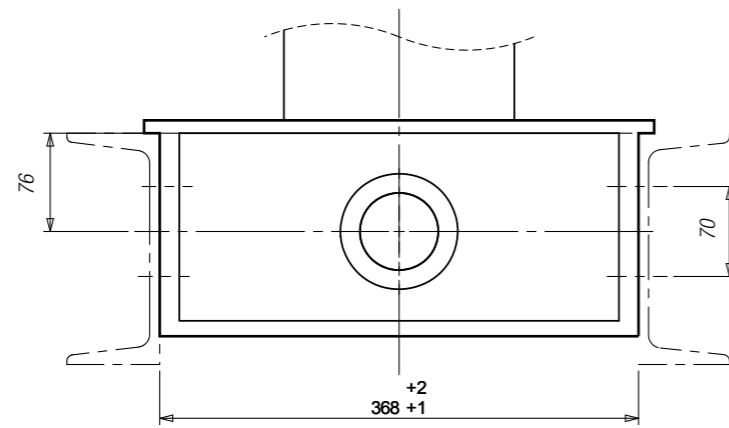
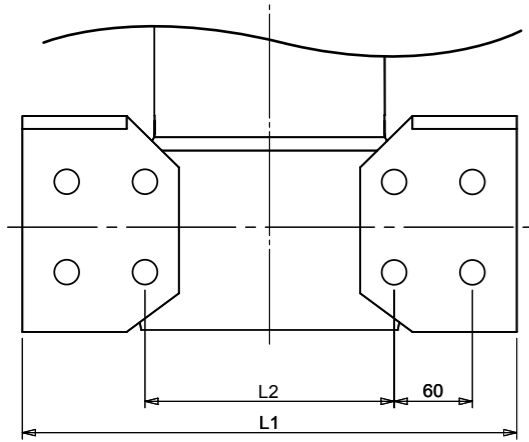
	CD 11/13	CD15
	Standard	Standard
L1	338	383
L2	98	143
L3	min 138	183
	std 158	204
	max 162	207

All dimensions are given in mm unless otherwise stated.
Technical Specifications are subject to change without notice.

Standard Bearing Brackets

RB30/TG

6 Kg each

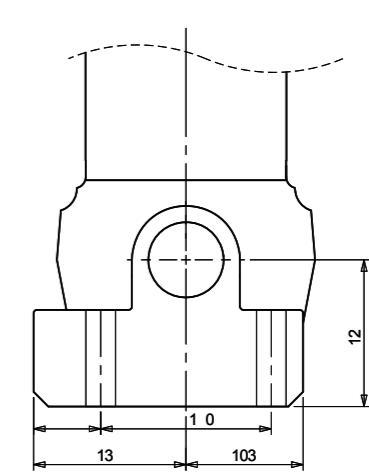
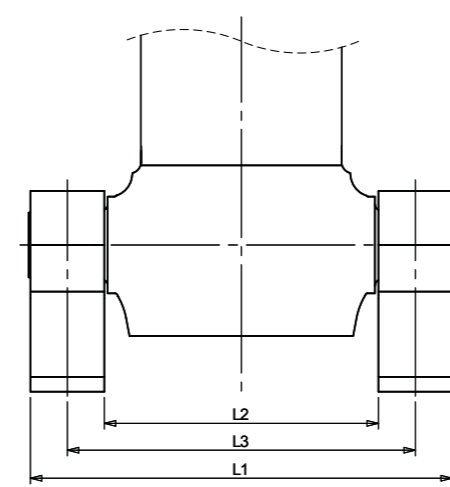


	CS10 Standard
L1	203
L2	140

Optional Bearing Brackets

BB101

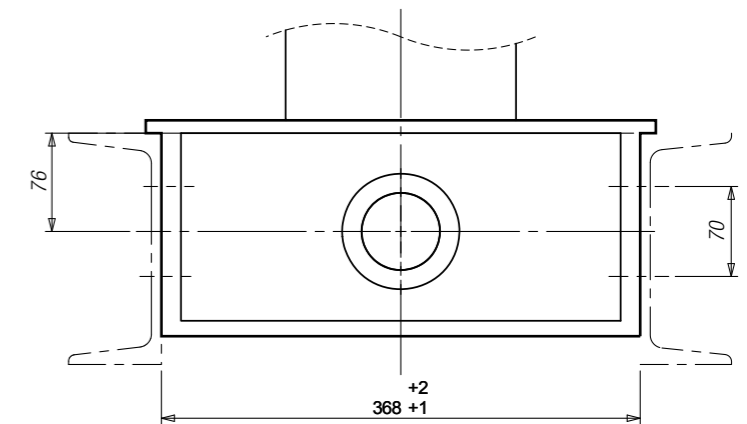
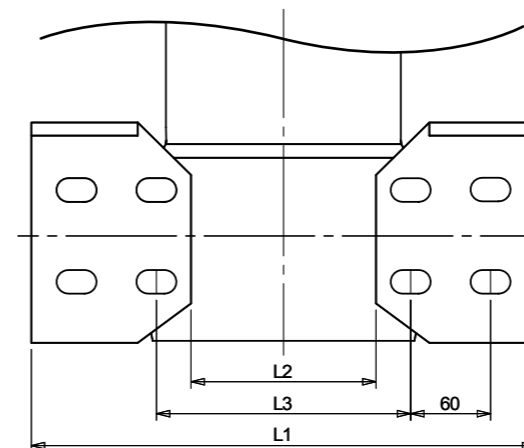
7 Kg each



	CS15 Optional	CS17/18 Optional
L1	371	396
L2	241	266
L3	306	331

BB104

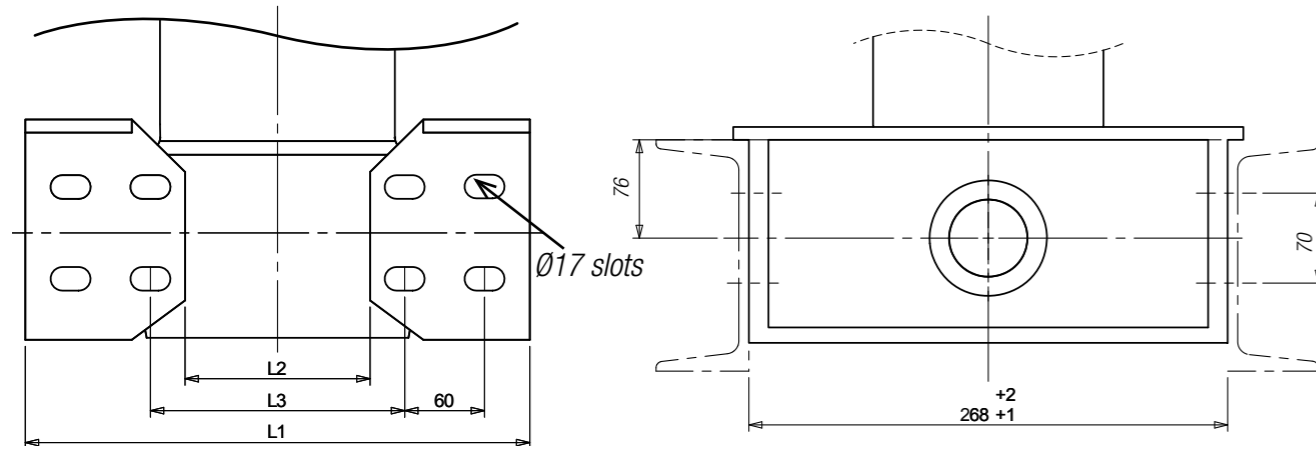
15 Kg each



	CS15 Optional
L1	375
L2	95
L3 min	134
std	141
max	146

Optional Bearing Brackets

BB105 13 Kg each



Designed specifically for competitor mounting spaces

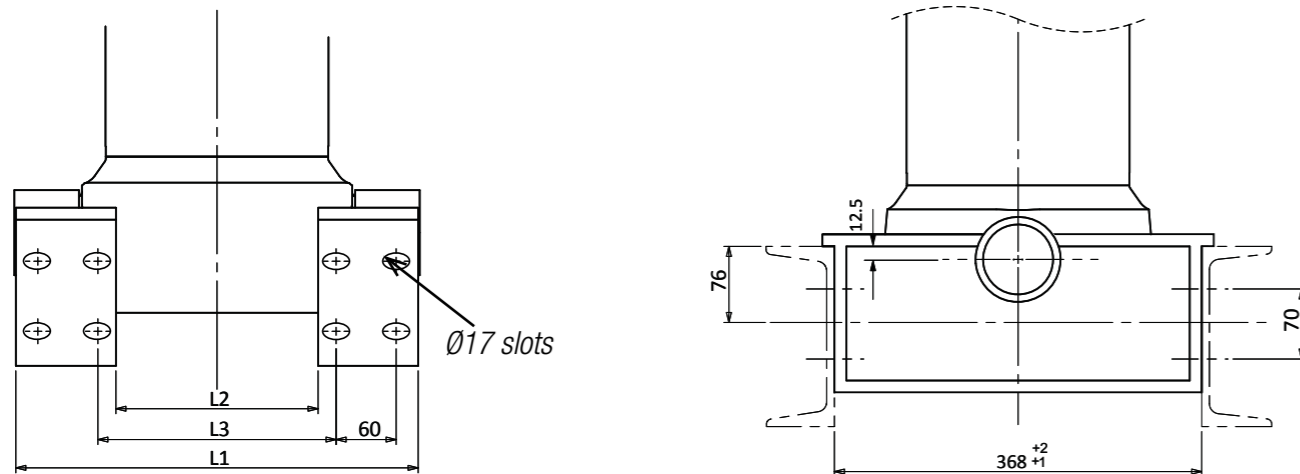


CS15

Optional

L1		375
L2		95
L3	min	134
	std	141
	max	146

BB108/B 13 Kg each



Includes GB370
Low Maintenance Bush



CS/CD 17/18

CS17L/18L

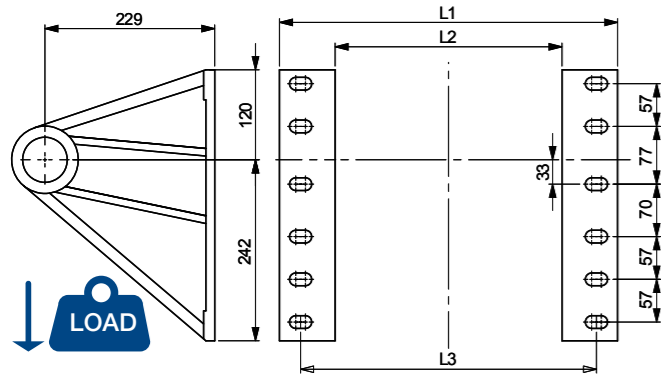
Optional Optional

L1		390	375
L2		170	155
L3	min	200	185
	std	210	200
	max	228	213



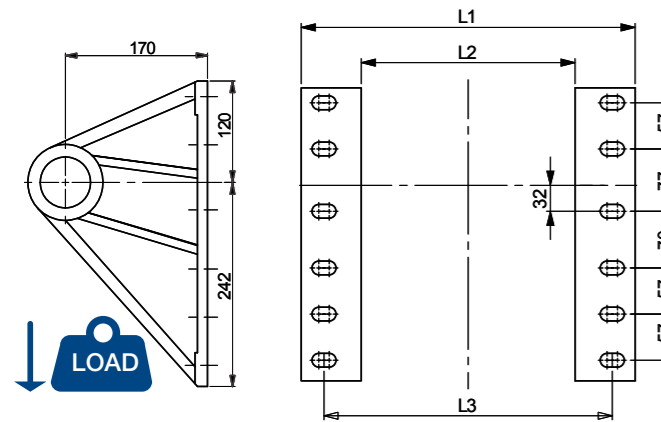
Standard Lifting Brackets

LB100CT & LB101CT 10 Kg each



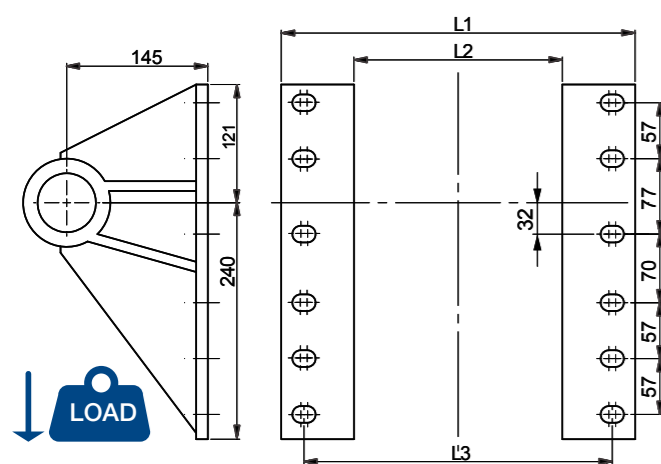
	CS11	CS13	CS15	CS17/18/18L	CS17L
	option	option	standard	standard	standard
L1	379	417	456	468	456
L2	229	267	306	318	306
L3 min	309	347	386	398	386
std	322	360	388	400	388
max	335	373	412	424	412

LB104 & LB105 8 Kg each



	CS11	CS13	CS15	CS17/18	CS17L/18L
	option	standard	option	option	standard
L1	379	417	456	468	454
L2	229	267	306	318	304
L3 min	309	347	386	398	384
std	322	360	388	400	386
max	335	373	412	424	410

LB106 & LB107 7 Kg each

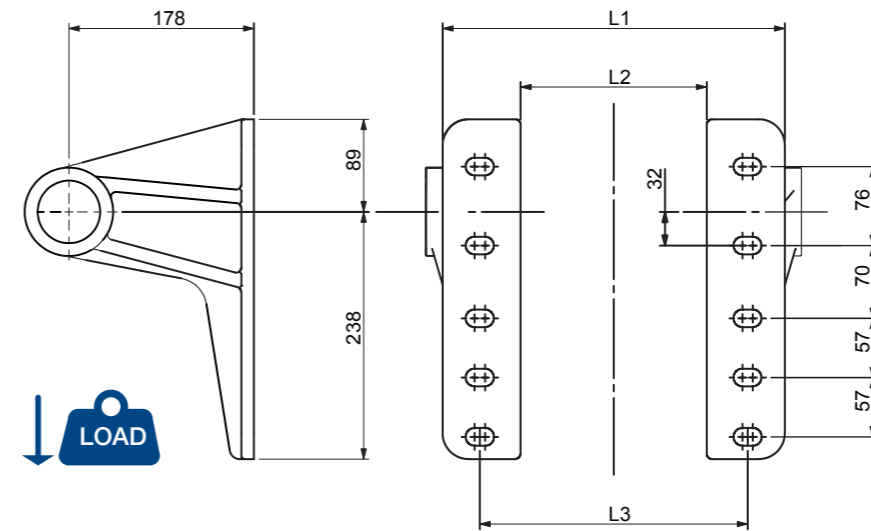


	CS11	CS13	CS15	CS17/18	CS17L/18L
	option	option	option	option	option
L1	365	403	442	454	442
L2	215	253	292	304	292
L3 min	311	349	388	400	372
std	318	360	388	400	374
max	325	363	402	414	3968

All dimensions are given in mm unless otherwise stated. Technical Specifications are subject to change without notice.

Standard Lifting Brackets

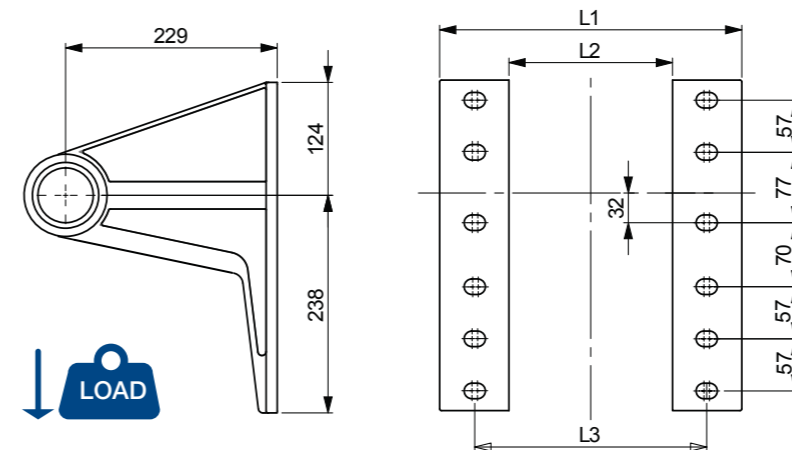
LB208-LH & LB209-RH 7 Kg each



	CS/CX 11	CS/CX 13*
	Standard	Optional
L1	337	375
L2	187	229
L3 min	255	293
std	265	303
max	275	313

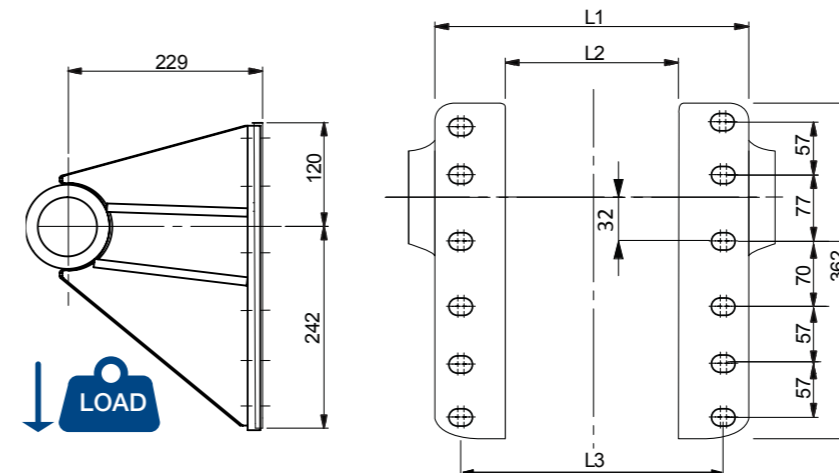
* 4 Stage Models Only

LB110-LH & LB111-RH 7 Kg each



	CS/CX11	CS/CX13	CS/CX 14/15/17
	Optional	Optional	Optional
L1	369	407	446
L2	219	257	296
L3 min	299	337	376
std	312	350	389
max	325	363	402

LB117-LH & LB118-RH 12 Kg each

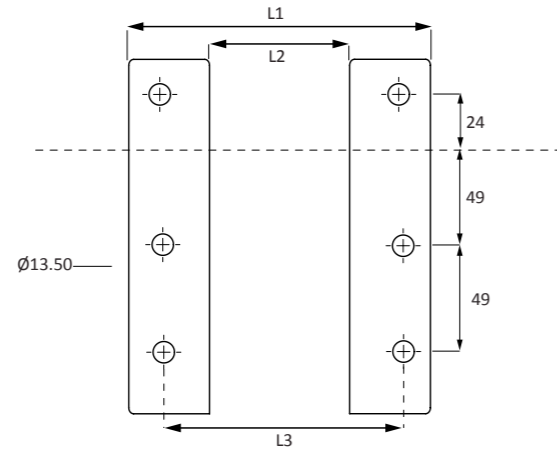
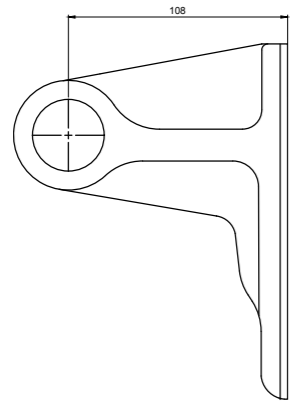


	CS19	CS22
	Standard	Standard
L1	449	449
L2	299	299
L3 min	400	400
std	407	407
max	414	414

All dimensions are given in mm unless otherwise stated. Technical Specifications are subject to change without notice.

Standard Lifting Brackets

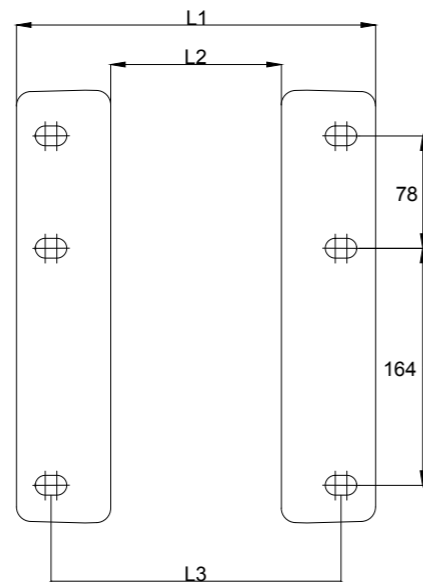
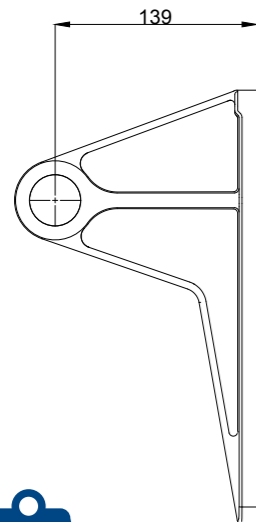
EB165/1 & EB166/1 4 Kg each



	CS/CX 07 Standard
L1	228
L2	126
L3	196



LB210 & LB211 9 Kg each



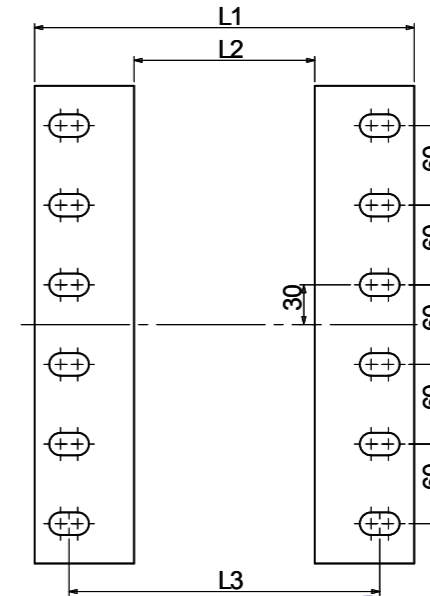
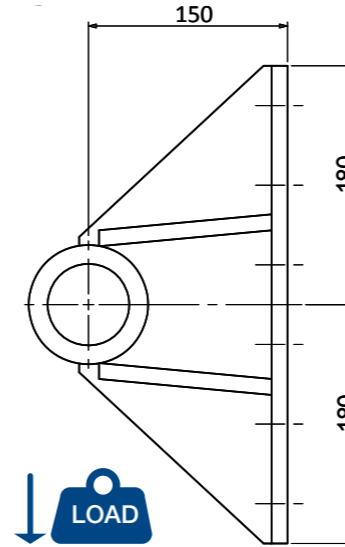
	CS/CX 07 Standard
L1	247
L2	117
L3	200



All dimensions are given in mm unless otherwise stated. Technical Specifications are subject to change without notice.

Standard Lifting Brackets

LB102 8 Kg each

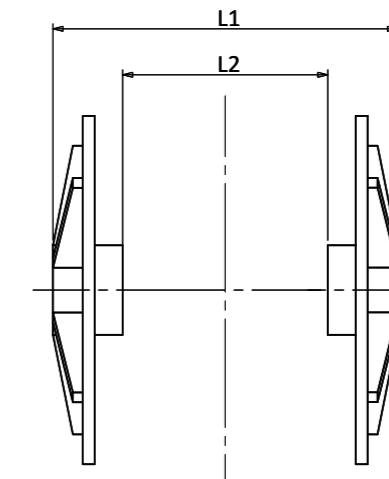
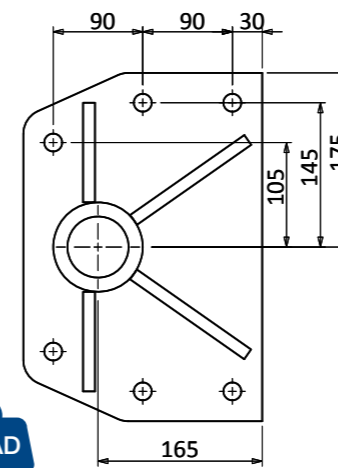


Includes GB370
Low Maintenance Bush



	CS15 Optional	CS 17/18 Optional	CS17L/18L Optional
L1	465	477	465
L2	315	327	315
L3 min	400	412	400
std	400	412	400
max	426	438	426

LB112 (Silo Special) 9 Kg each



Includes GB370
Low Maintenance Bush

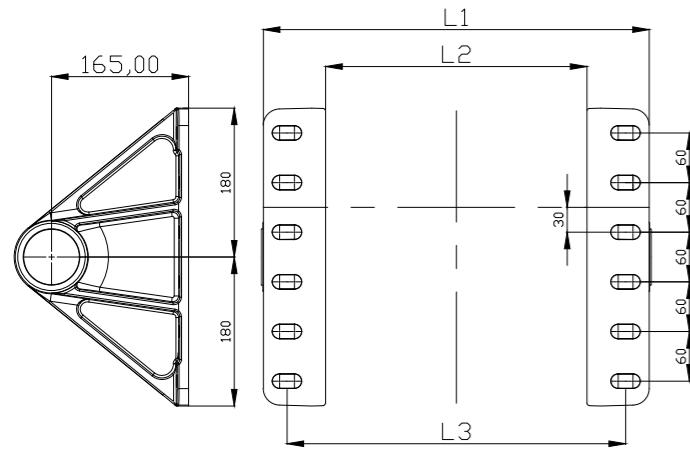


	CS17/18 Optional	CS17L/18L Optional
L1	476	464
L2	336	324

All dimensions are given in mm unless otherwise stated. Technical Specifications are subject to change without notice.

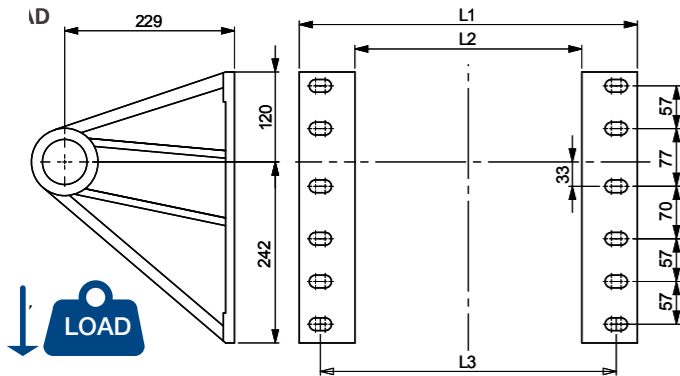
Standard Lifting Brackets

LB116 7 Kg each



	CS15/17/18L CS 15/17/18	
	Optional	Optional
L1	459	471
L2	309	321
L3 min	384	396
std	402	414
max	420	432

LB200 & LB201 8 Kg each



	CS11 CS13 CS 15 / 17L CS 17/18 /18L			
	Optional	Optional	standard	standard
L1	379	417	456	468
L2	229	267	306	318
L3 min	309	347	386	398
std	322	360	388	400
max	335	373	412	424

Only for use in controlled applications with a maximum body and payload of 36T

Top Eye Brackets

PLAIN EYE INC LOW MAINTENANCE BUSH

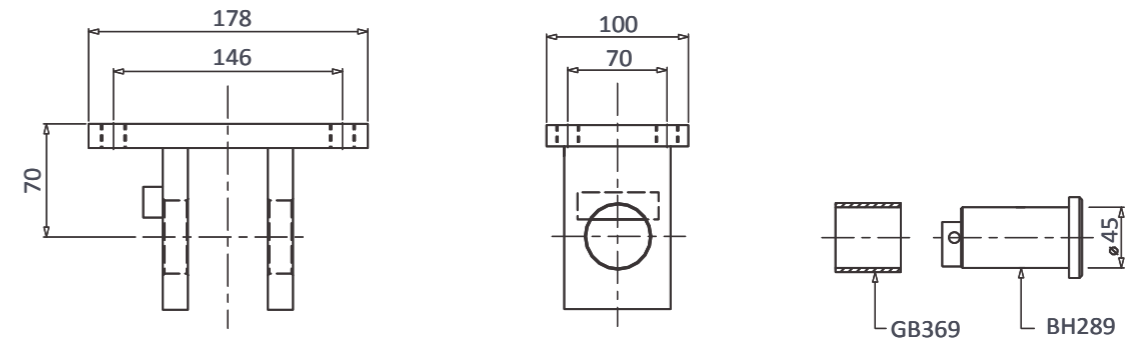
Plate assembly supplied with Pin, Bush, Washer & Retaining pin.

OMK1 (For use with CS11, CS13, CS15/4 & CS15/5 and CS17/5)

5 kg Assy

Fabricated bracket suitable for welding

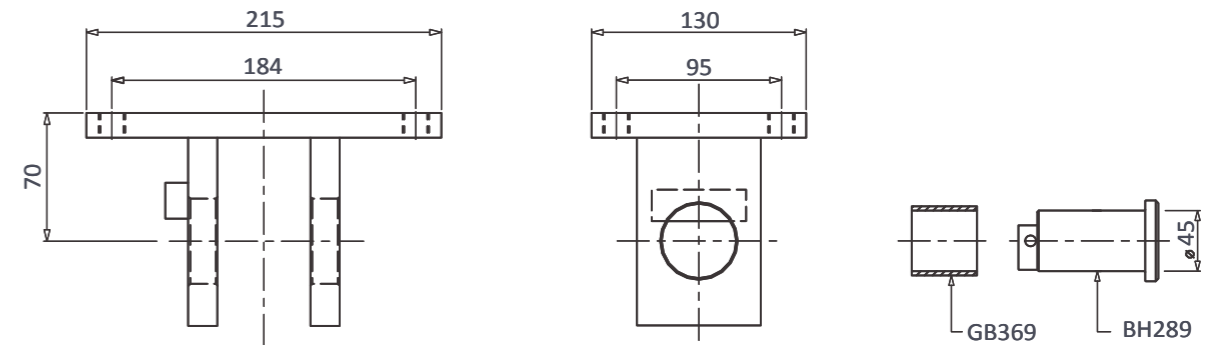
For use with OE type



OMK2 (All CS**OE Excludes 19/4)

6 kg Assy

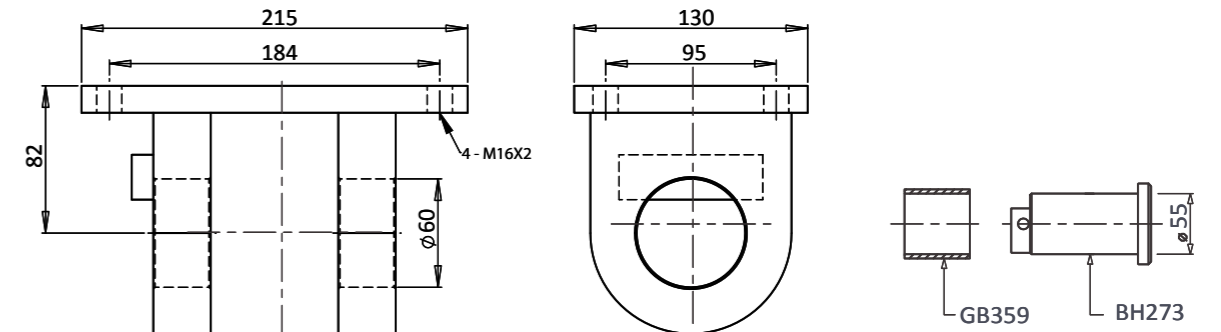
Fabricated bracket suitable for welding



OMK5 (For use with CS19/4 only)

8 kg Assy

Fabricated bracket suitable for welding



Top Eye Brackets

PLAIN EYE INC LOW MAINTENANCE BUSH

Plate assembly supplied with Pin, Bush, Washer & Retaining pin.

For use with **OE type**

OMK1C (For use with CS11, CS13, CS15/4 & CS15/5 and CS17/5)

5 kg Assy

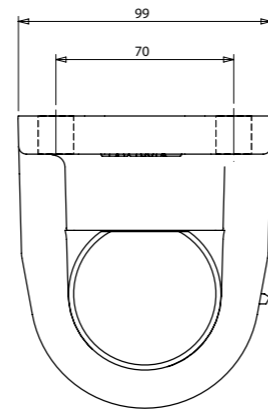
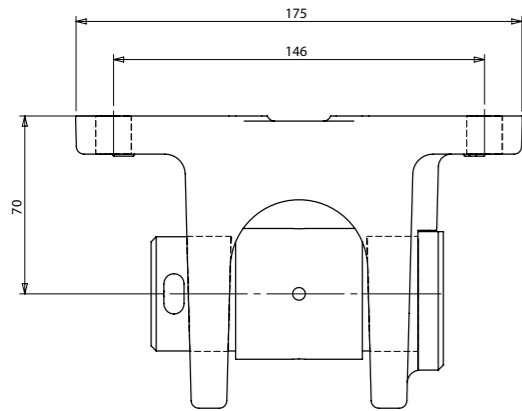
Cast Bracket



ATTENTION!

Cast brackets are not suitable for welding

Includes GB369
Low Maintenance Bush



OMK2C (All CS**OE Excludes 19/4)

6 kg Assy

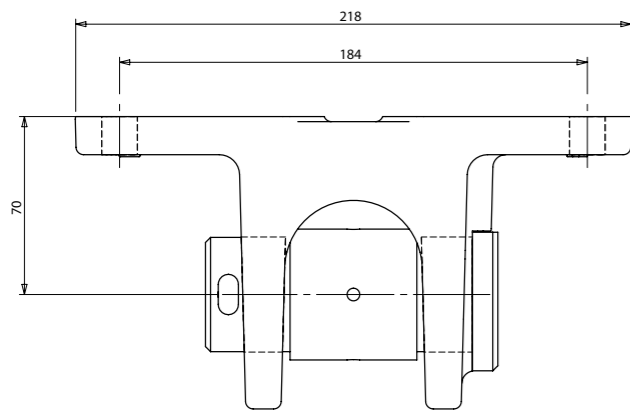
Cast bracket



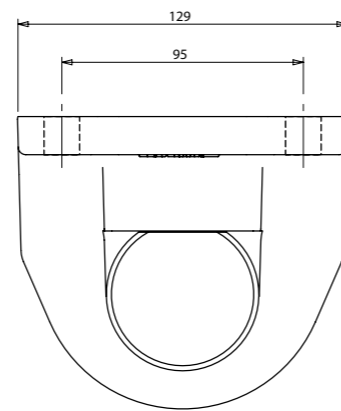
ATTENTION!

Cast brackets are not suitable for welding

Includes GB369
Low Maintenance Bush



FOR USE WITH ALL
OE CYLINDERS WITH
51mm Ø EYE



Top Eye Brackets

PLAIN EYE INC LOW MAINTENANCE BUSH

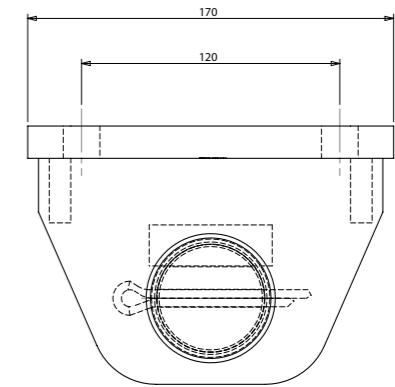
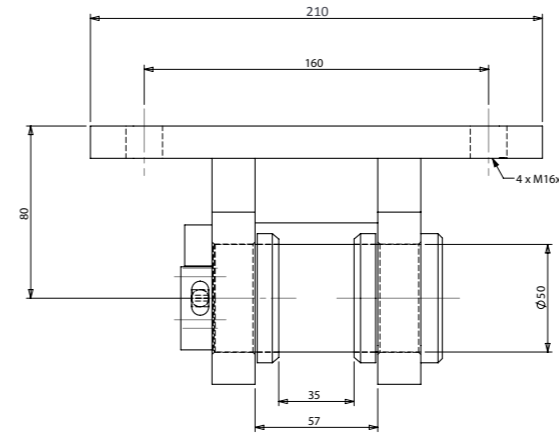
Plate assembly supplied with Pin, Bush, Washer & Retaining pin.

For use with **OS type**

OMK6 (For use with CS11, CS13, CS15/4, CS15/5 & CS17/5 and CS 19)

10 kg Assy

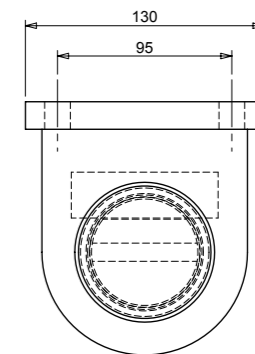
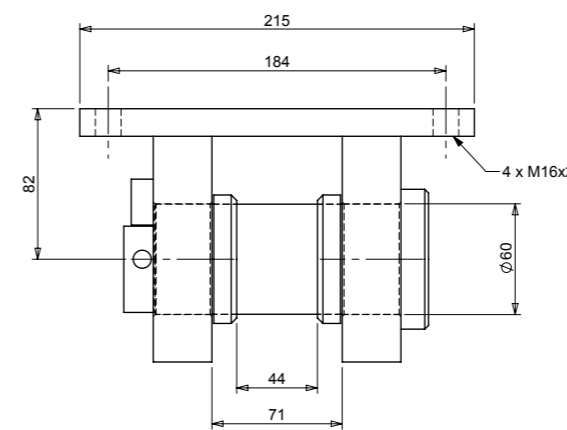
Fabricated bracket suitable for welding



OMK7 (For use with CS22 / OS)

12 kg Assy

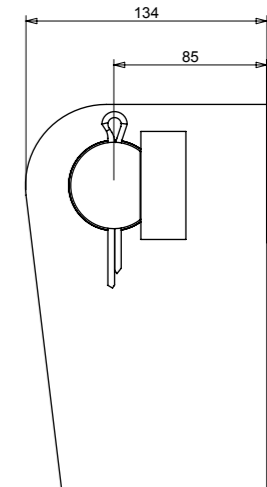
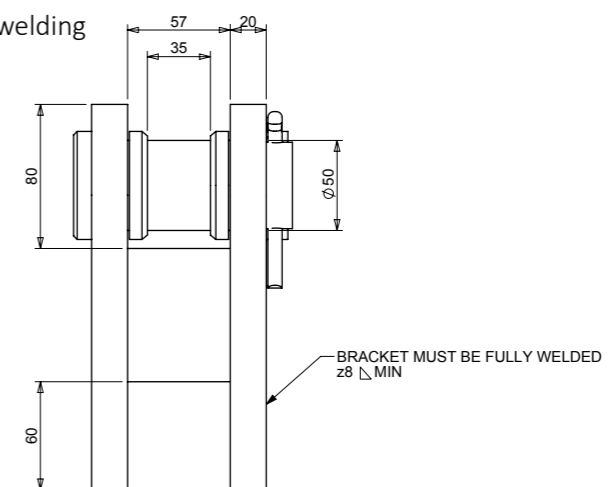
Fabricated bracket suitable for welding



OMK8 (For use with CS11, CS13, CS15/4, CS15/5 & CS17/5 and CS 19)

12 kg Assy

Fabricated bracket suitable for welding

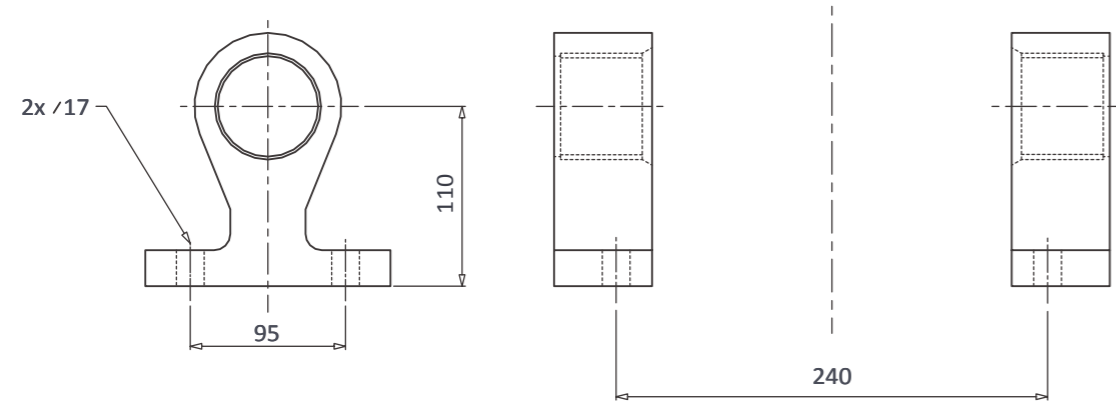


Foot Mounting Brackets

CS13 Cylinders

13110B60F 7 Kg each

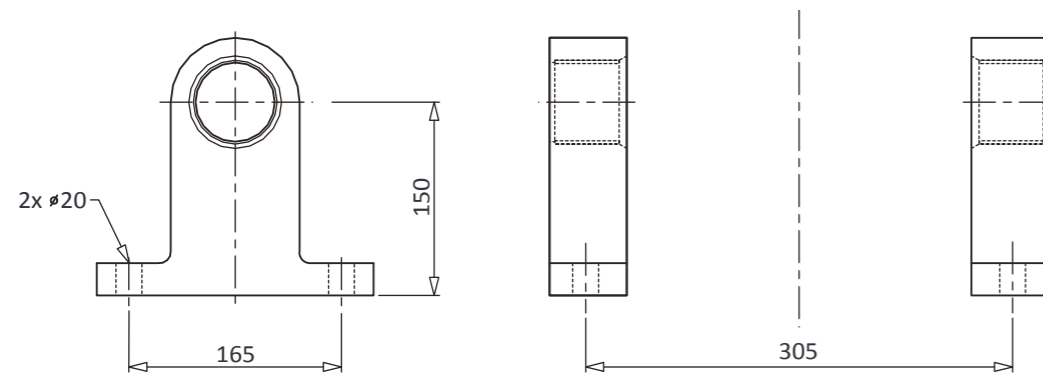
Includes GB376
Low Maintenance Bush



CS15 Cylinders

15150B60F 9 Kg each

Includes GB376
Low Maintenance Bush

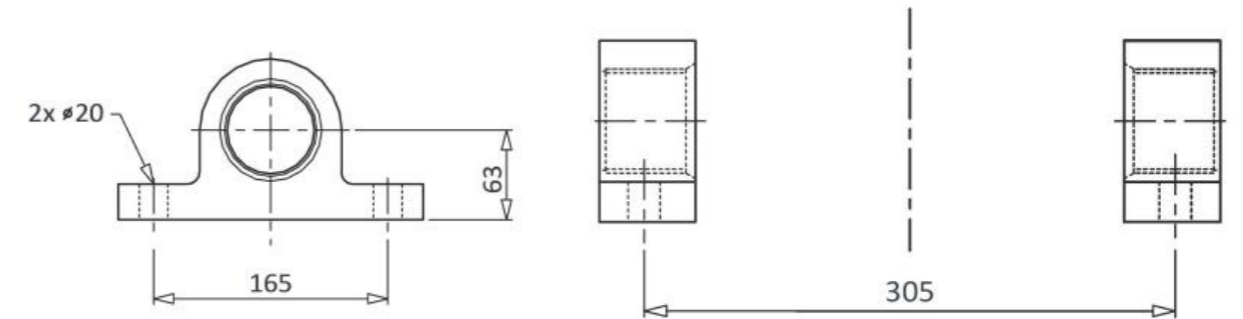


Foot Mounting Brackets

CS15 Cylinders

15063B60Q 5 Kg each

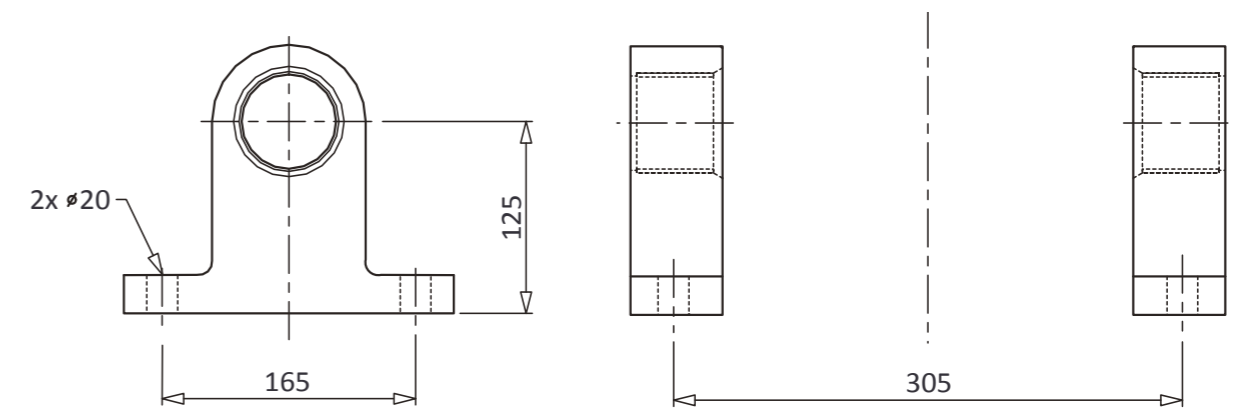
Includes GB376
Low Maintenance Bush



CS15 Cylinders

15125B60F 7 Kg each

Includes GB376
Low Maintenance Bush

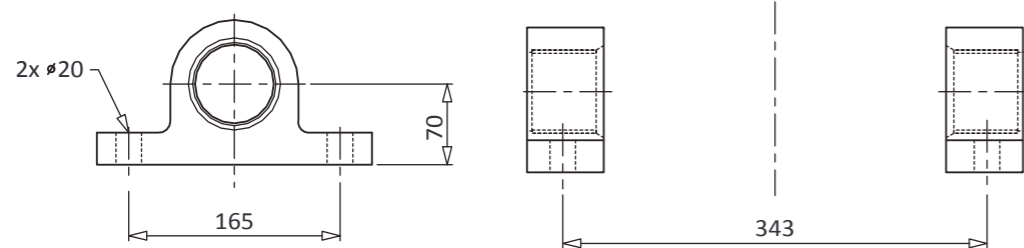


Foot Mounting Brackets

CS17 & CS 18 Cylinders

18070B60Q 6 Kg each

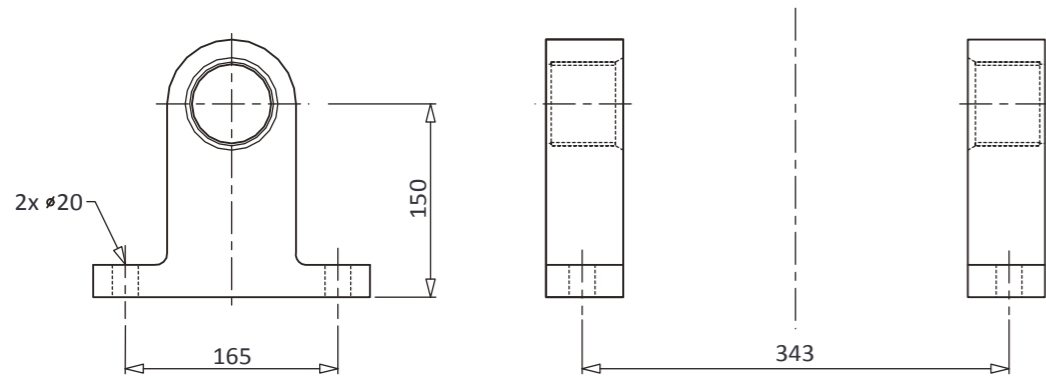
Includes GB376
Low Maintenance Bush



CS17 & CS 18 Cylinders

18150B60F 10 Kg each

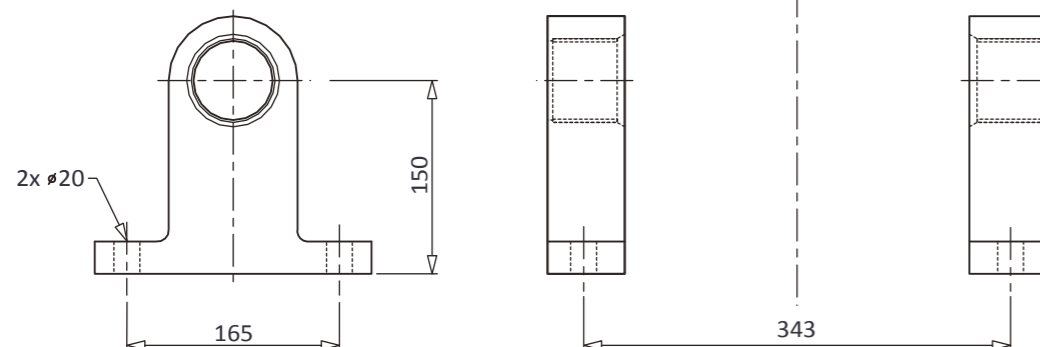
Includes GB376
Low Maintenance Bush



CS19 Cylinders

19150B70Q 11 kg each

Includes GB377
Low Maintenance Bush



All dimensions are given in mm unless otherwise stated.
Technical Specifications are subject to change without notice.

Mounting bolt advice for Brackets

Thread	Imperial SAE J429		Metric ISO4014		
	UNC	UNF	Coarse		
Bolt Grade	8	8	8.8		
Nut Grade	8	8	8		
Proof Stress	120 KSI		827 Mpa		
Torque (Nm)	5/8"	287	325	M16	243
	3/4"	510	570	M20	490
Torque (lbft)	5/8"	212	240		
	3/4"	376	420		

Note:

1. Torques are advisory only and will depend on plating and lubrication.
2. The above figures are for plain (unplated) bolts in the as received condition, ($\mu=0.2$) torqued to 75% of yield stress.
3. For Zinc plated bolts, increase torques by 10% ($\mu=0.22$)
4. For Lubricated bolts (any finish), reduce torques by 25% ($\mu=0.15$)
5. Compatible nut and washer grades must be used.
6. Check final torque levels with your bolt supplier.

General information

This catalogue contains our complete range of products and the appropriate spare parts for articulated vehicle equipment, semi-trailers and trailers. Special models are available on request.

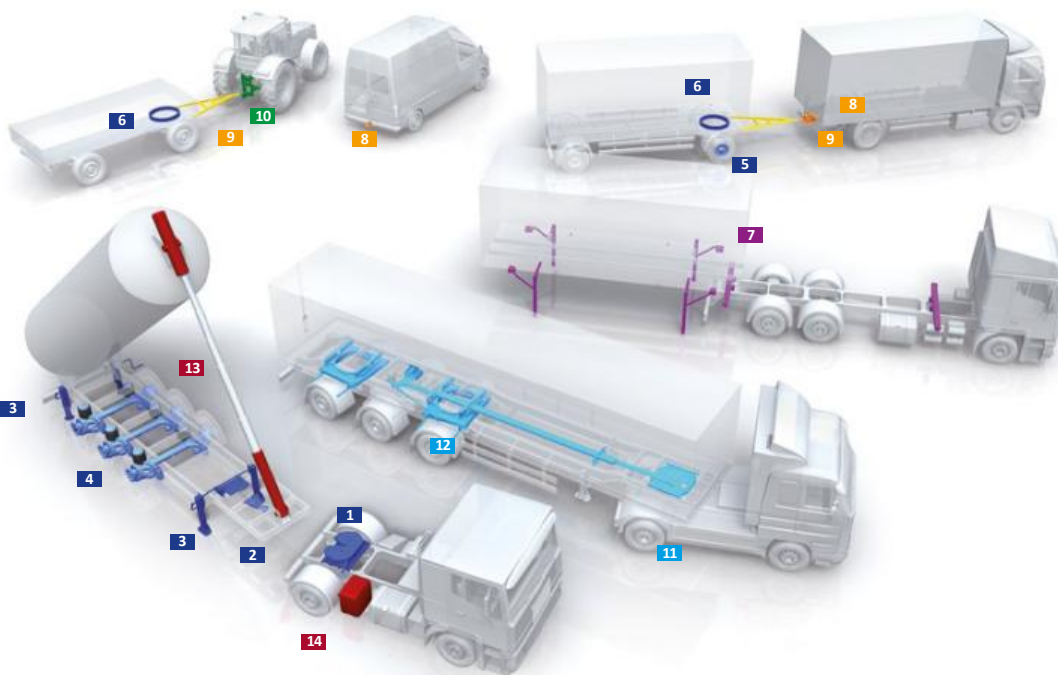
We reserve the right to make changes to the technical specifications of all the products depicted in this catalogue. Updated information may be available in the online product catalogue at www.jost-world.com. You can find further technical details and information (e.g. mounting and operating instructions) as well as terms of guarantee at www.jost-world.com. Please refer to the appropriate documentation for installation, assembly and repair instructions.

General information

Available product series and designs are specified in the respective selection tables by means of an order reference number.

If you do not intend to unpack and fit the products immediately on delivery, please store them in a dry place. According to their weight the products are transported, in carton, in crates or on Euro pallets. We recommend the use of a lifting truck, forklift or crane for handling pallets or crates.

All dimensions are given in mm unless otherwise stated.
Technical Specifications are subject to change without notice.



JOST



- 1** **Fifth wheel couplings and systems**
2" and 3½" fifth wheel couplings in a variety of construction heights, bearing types and versions, mounting plates, sliders and dual-height fifth wheel systems; sensor-controlled systems for the coupling procedure between truck and trailer



- 2** **King pins**
2" and 3½" king pins with a conical or plate-shaped flange



- 3** **Landing gears**
Landing gears with variable bolting heights, crank handles, connection shaft-lengths and foot types, special landing gears for special applications



- 4** **Truck and Trailer axles**
Weight-saving, versatile truck and trailer axles with various optional extras.



- 5** **Hubodometers**
Used to calculate distance driven, independent of the truck



- 6** **Ball bearing turntables**
Ball bearing turntables and slewing rings in a wide range of sizes and versions



- 7** **Container technology**
Components for intermodal transports, supports, twist locks and bolsters, swap body lifting devices, guide roller bearings and bearings



- 8** **Road traffic**
Open-end, hook and ball towing hitches, suspension elements, VARIOBLOC alternating system and special models



- 9** **Drawbars and towing eyes**
Drawbars and towing eyes as well as custom-made products for on and off-road usage



- 10** **Agriculture**
Open-end, hook and ball towing hitches, height adjustable brackets and clutch carriers for agriculture and forestry

TRIDEC



- 11** **Steering systems**
Axel-independent or manufacturer-independent mechanically, hydraulic and electronically controlled steering systems for trailers



- 12** **Axle suspensions**
Air suspension or hydraulically suspended axle suspensions for on and off-road usage

Edbro



- 13** **Vehicle-mounted hydraulic systems**
Front end, underbody and tipping ejector cylinders for trucks and trailers/trailer tippers



- 14** **Customer-specific hydraulic component kits**
Hydraulic component kits for various applications, chassis-specific hydraulic container component kits

Member of JOST World

JOST, Germany Tel. +49 6102 295-0, jost-sales@jost-world.com, www.jost-world.com